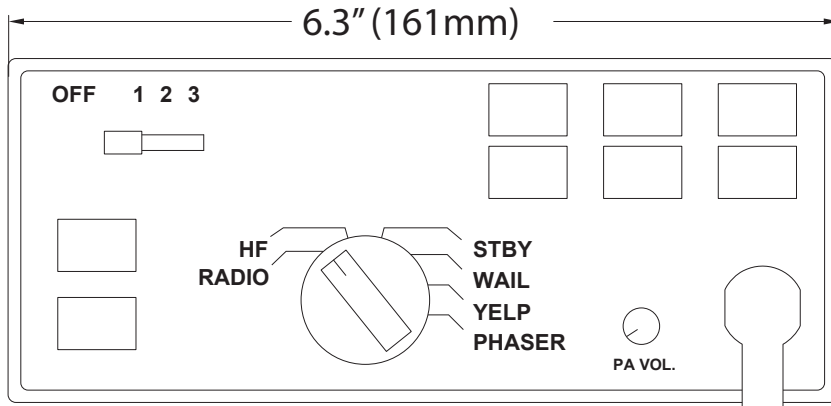
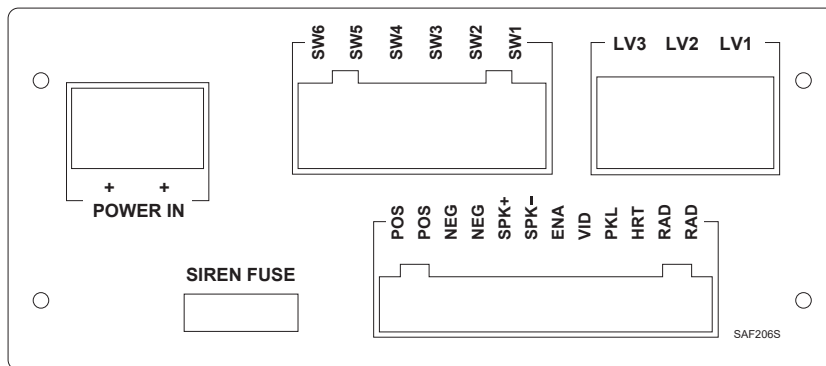


# DIMENSIONS

## FRONT VIEW



## REAR VIEW



## SIDE VIEW

