

HEAVY-DUTY WORK LIGHTS

WLE

ProSignal™



DESCRIPTION

- ▶ The WLE™ Work lights are part of our Heavy-Duty line. Assembled in a die-cast aluminum housing, they are completely weatherproof and resistant to vibration.
- ▶ They been tested by our customers in the worst conditions and always responded perfectly.

FEATURES

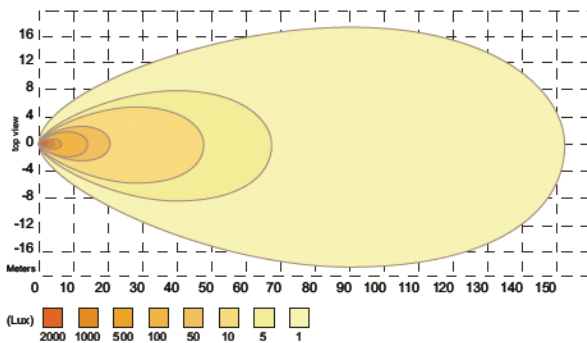
- ▶ Multi-voltage input: 11 to 70Vdc
- ▶ 4800 lumens
- ▶ 6 High intensity LED modules
- ▶ Available in Spot or Flood beam pattern
- ▶ LEDs rated to 100 000 hours of operation
- ▶ Heavy-Duty powder coated die cast aluminium
- ▶ Reverse polarity protection
- ▶ Waterproof connector
- ▶ EMC & IP68 Compliance



ELECTRICAL SPECIFICATIONS

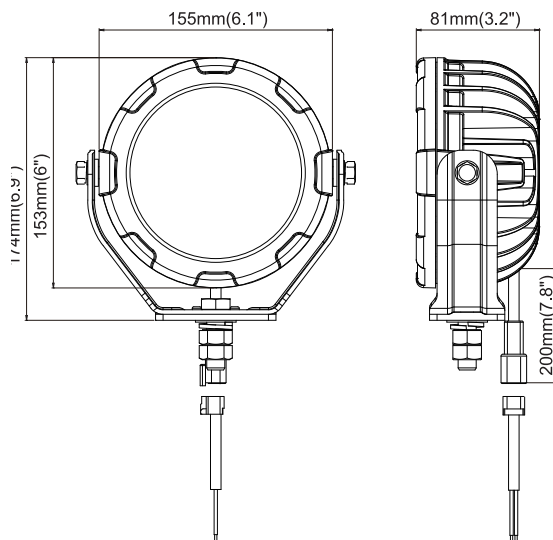
Operating Voltage:	11 to 70Vdc
Maximum Current:	3.6A at 12.8Vdc / 0.8A at 60Vdc
Maximum Power:	48 Watts
Fuse Recommended:	5A

LIGHT PATTERN



e13 CE SAE

DIMENSIONS



PRODUCT NUMBERS

Number	Description
63301Z	PROSIGNAL - WORK LIGHT - WLE 6 LED ROUND 4800 lm - FLOOD