


XT6



DESCRIPTION

- ▶ The XT6™ is the new generation of LED module. Offering extreme brightness over a wide field of vision you won't have to wonder if you are visible to other vehicles.
- ▶ Its design exceeds SAE J845 Class I standards.

FEATURES

- ▶ Multi-voltage input: 12 to 24Vdc
- ▶ 16 flash patterns
- ▶ High intensity LED modules (6 LED modules of 1 Watt)
- ▶ LEDs rated to 100 000 hours of operation
- ▶ Non-volatile memory recalls last flash pattern used at power up
- ▶ Weatherproof and vibration resistant design for internal or external use
- ▶ White bezel and chrome bezel are available to match the vehicle color
- ▶ Reverse polarity protection
- ▶ Multiple units can be synchronized
- ▶ Color available: 



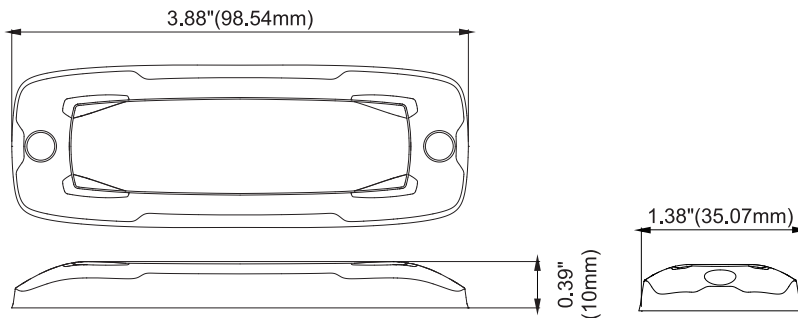
ELECTRICAL SPECIFICATIONS

Operating Voltage:	12 to 24Vdc
Maximum Current:	0.88A at 12Vdc / 0.44A at 24Vdc
Average Power:	5.3 Watts (varies with flash pattern)
Maximum Power:	10.6 Watts
Fuse Recommended:	1A

BEZEL AVAILABLE



DIMENSIONS



PRODUCT NUMBERS

Number	Description
21603Z	PROSIGNAL - XT6 - 6 LED/BLACK BEZEL - AMBER
21602Z	PROSIGNAL - XT6 - 6 LED/BLACK BEZEL - RED
21605Z	PROSIGNAL - XT6 - 6 LED/BLACK BEZEL - BLUE
21601Z	PROSIGNAL - XT6 - 6 LED/BLACK BEZEL - WHITE
21630Z	PROSIGNAL - XT6 - BEZEL - CHROME
21631Z	PROSIGNAL - XT6 - BEZEL - WHITE