


XT12



DESCRIPTION

- ▶ The XT12™ is the new generation of LED module. Offering extreme brightness over a wide field of vision you won't have to wonder if you are visible to other vehicles.
- ▶ This model offers the dual-color technology that allows you to switch from one color to the other or alternate between both.
- ▶ Its design exceeds SAE J845 Class I standards.

FEATURES

- ▶ Multi-voltage input: 12 to 24Vdc
- ▶ 16 flash patterns
- ▶ High intensity LED modules (12 LED modules of 1 Watt)
- ▶ LEDs rated to 100 000 hours of operation
- ▶ Non-volatile memory recalls last flash pattern used at power up
- ▶ Weatherproof and vibration resistant design for internal or external use
- ▶ Dual-color feature available
- ▶ White bezel is available to match the vehicle color
- ▶ Reverse polarity protection
- ▶ Multiple units can be synchronized
- ▶ Color available: 



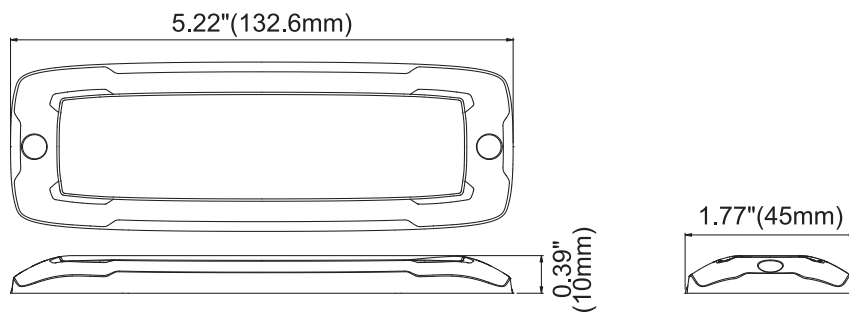
ELECTRICAL SPECIFICATIONS

Operating Voltage:	12 to 24Vdc
Maximum Current:	1.76A at 12Vdc / 0.88A at 24Vdc
Average Power:	10.55 Watts (varies with flash pattern)
Maximum Power:	21.1 Watts
Fuse Recommended:	3A

BEZEL AVAILABLE



DIMENSIONS



PRODUCT NUMBERS

Number	Description
21503Z	PROSIGNAL - XT12 - 12 LED/BLACK BEZEL - SINGLE COLOR AMBER
21502Z	PROSIGNAL - XT12 - 12 LED/BLACK BEZEL - SINGLE COLOR RED
21505Z	PROSIGNAL - XT12 - 12 LED/BLACK BEZEL - SINGLE COLOR BLUE
21501Z	PROSIGNAL - XT12 - 12 LED/BLACK BEZEL - SINGLE COLOR WHITE
21529Z	PROSIGNAL - XT12 - 12 LED/BLACK BEZEL - DOUBLE COLOR RED/AMBER
21527Z	PROSIGNAL - XT12 - 12 LED/BLACK BEZEL - DOUBLE COLOR RED/BLUE
21531Z	PROSIGNAL - XT12 - BEZEL - WHITE
21530Z	PROSIGNAL - XT12 - BEZEL - CHROME