

HEAVY-DUTY WORK LAMP



2 Years Warranty

W-09001

Flood Beam

W-19001

Spot Beam

Description

This series has been designed to face the toughest standards in the mining industry, it will meet or exceed your expectations. It starts with an adjustable Heavy-Duty mounting bracket which includes bushings and anti-vibration pads. Finally, with 120 Watts of power, you won't be disappointed with the visibility.



Features

14000 lumens

12 LED of 10 Watts each

LEDs rated to 50 000 hours of operation

Color temperature 5000 - 6000k

Water & vibration resistant

Operating temperature: -40°C to +85°C

Certificates: CE, RoHS, R10, R112, IP68, IP69K, 60G (Shock)

Integrated 2 Pin Deutsch Connector (Female)

Additional 180mm cable with 2 Pin Deutsch Connector (Male)

Utilisations

Mining Industry
Agriculture
Forestry and Logging

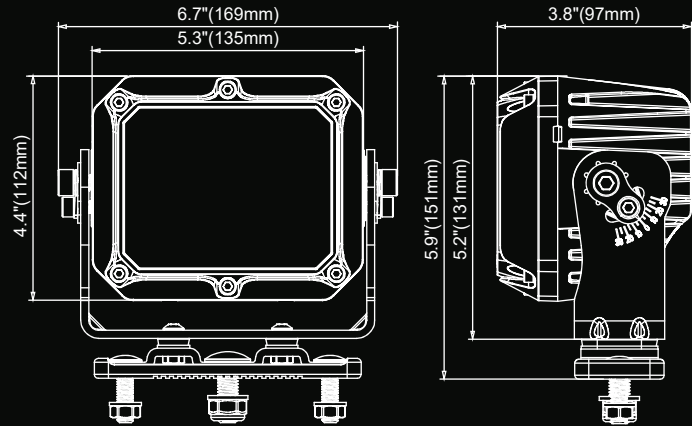


NORTH X LIGHT

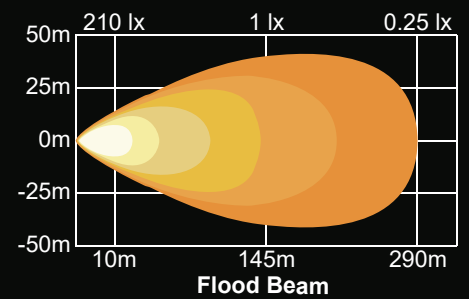
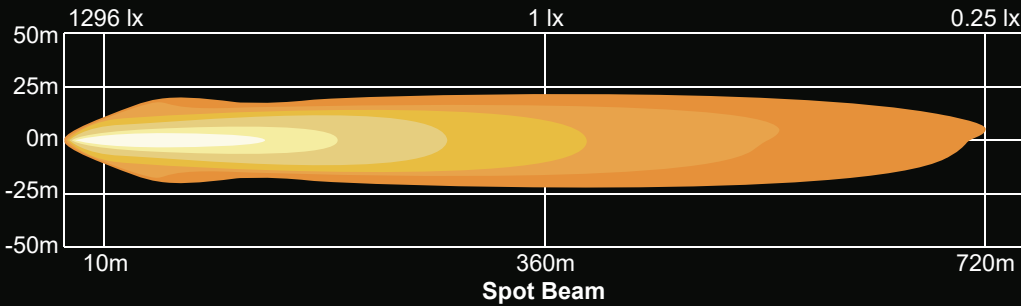
Electrical specifications

Input voltage: 10Vdc to 32Vdc
 Power consumption: 10A @ 12V / 5A @24V
 Power requirement (max.): 120 Watts

Dimensions



Light Patterns



Products

Part #	Description
W-09001	HEAVY-DUTY WORK LAMP - SQUARE 14 000 Lm - FLOOD BEAM
W-19001	HEAVY-DUTY WORK LAMP - SQUARE 14 000 Lm - SPOT BEAM