


## VENTURE



### DESCRIPTION

- ▶ Fully waterproof & vibration resistant, the Venture™ lightbar is an affordable model that gives you more value for what you pay. Several lengths and different functions such as turn signals, brakes, and scene lights are available.
- ▶ Its design meets SAE J845 Class I standards.

### FEATURES

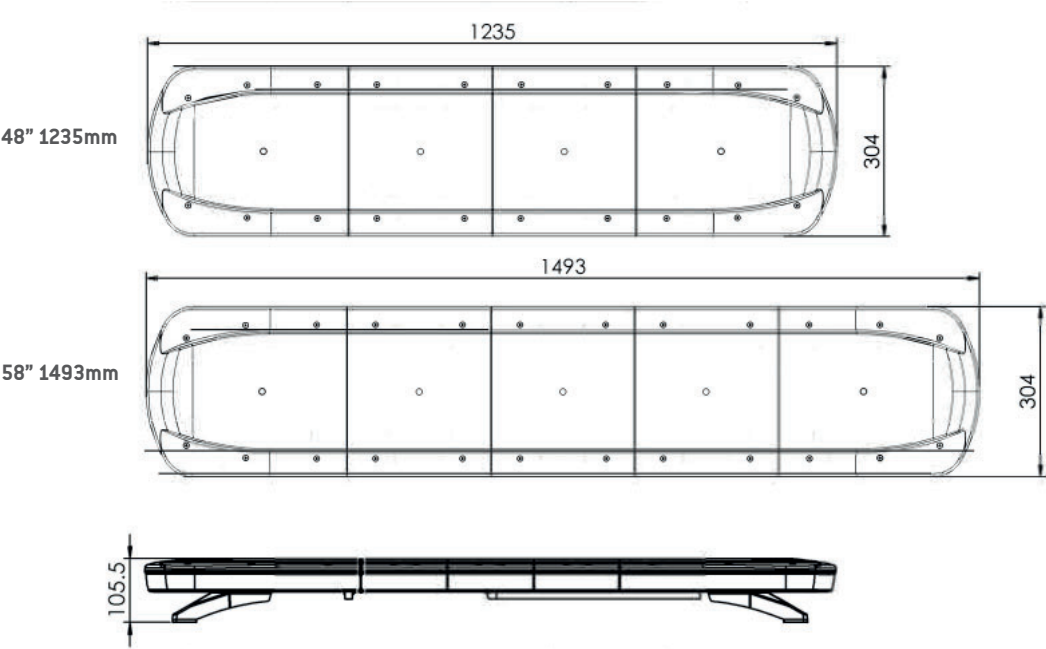
- ▶ Multi-voltage input: 12 to 24Vdc
- ▶ LEDs rated to 60 000 hours of operation
- ▶ Non-volatile memory recalls last flash pattern used at power up
- ▶ Low profile design (about 2" thick)
- ▶ Possibility of adding Stop/Tail/Turn signals and scene lights
- ▶ Low power function for night time use
- ▶ Weatherproof and vibration resistant design for internal or external use
- ▶ Reverse polarity protection
- ▶ Color available: 

# ELECTRICAL SPECIFICATIONS

<b>Operating Voltage:</b>	12 to 24Vdc
<b>Maximum Current:</b>	8.1A at 12Vdc / 4.4A at 24Vdc
<b>Fuse Recommended:</b>	15A

\*Consumption in Steady-On mode.

# DIMENSIONS



# PRODUCT NUMBERS

Number	Description
<b>38600Z</b>	PROSIGNAL - VENTURE 48" - AMBER
<b>38603Z</b>	PROSIGNAL - VENTURE 48" - AMBER / SCENE LIGHTS + STOP/TAIL/TURN
<b>38800Z</b>	PROSIGNAL - VENTURE 58" - AMBER