


TITAN



DESCRIPTION

- ▶ The Titan™ interior light is universal, it will fit on the windshield of most vehicles. The visor is there to prevent light glare.
- ▶ This product is ideal for an installation that requires the utmost discretion. It is fixed with suction cups on the windshield and plugs into the cigarette lighter so an installation does not require holes in the vehicle.
- ▶ Its design meets SAE J595 Class I standards.

FEATURES

- ▶ Multi-voltage input: 12 to 24Vdc
- ▶ 19 flash patterns
- ▶ High intensity LED modules (4 LED modules of 1 Watt)
- ▶ LEDs rated to 100 000 hours of operation
- ▶ Non-volatile memory recalls last flash pattern used at power up
- ▶ Vibration resistant, design for internal use only.
- ▶ The angle of visibility emitted by the light can be modified
- ▶ Reverse polarity protection
- ▶ Multiple units can be synchronized
- ▶ Colors available: 



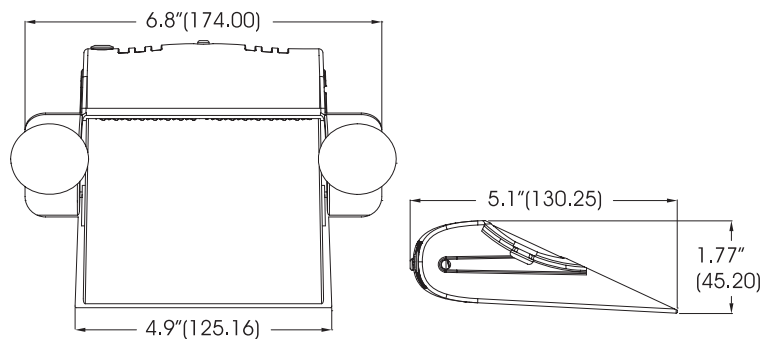
ELECTRICAL SPECIFICATIONS

Operating Voltage:	12 to 24Vdc
Maximum Current:	0.56A at 12Vdc / 0.28A at 24Vdc
Average Power:	4.5 Watts (varies with flash pattern)
Maximum Power:	9 Watts
Fuse Recommended:	2A

CONNECTING OPTIONS



DIMENSIONS



PRODUCT NUMBERS

Number	Description
12003Z	PROSIGNAL - TITAN - 4 LED SUCTION CUP/LIGHTER PLUG MOUNT - AMBER
12002Z	PROSIGNAL - TITAN - 4 LED SUCTION CUP/LIGHTER PLUG MOUNT - RED
12005Z	PROSIGNAL - TITAN - 4 LED SUCTION CUP/LIGHTER PLUG MOUNT - BLUE
12004Z	PROSIGNAL - TITAN - 4 LED SUCTION CUP/LIGHTER PLUG MOUNT - GREEN
12006Z	PROSIGNAL - TITAN - 4 LED SUCTION CUP/LIGHTER PLUG MOUNT - RED/WHITE