



# ST26



## DESCRIPTION

- ▶ Fully waterproof, the super thin ST26™ module can be installed in any location. It is ideal for installations requiring the utmost discretion.
- ▶ Its design meets SAE J845 Class I standards.

## FEATURES

- ▶ Multi-voltage input: 12 to 24Vdc
- ▶ 25 flash patterns
- ▶ High intensity LED modules (12 LED modules of 1 Watt)
- ▶ LEDs rated to 100 000 hours of operation
- ▶ Non-volatile memory recalls last flash pattern used at power up
- ▶ Weatherproof and vibration resistant design for internal or external use
- ▶ Reverse polarity protection
- ▶ Multiple units can be synchronized
- ▶ Color available:  



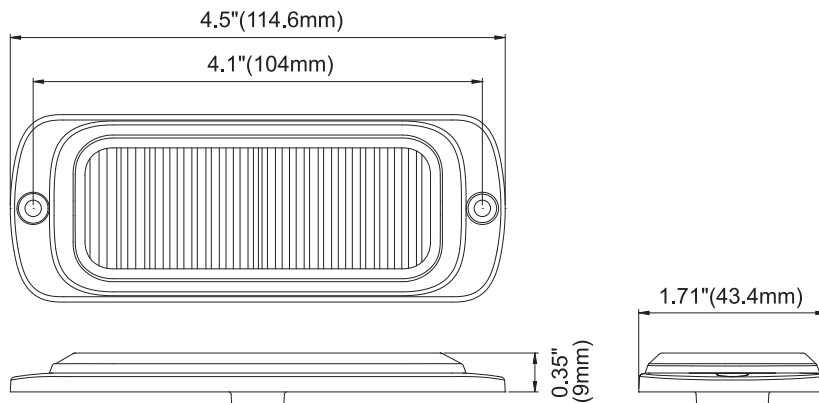
## ELECTRICAL SPECIFICATIONS

<b>Operating Voltage:</b>	12 to 24Vdc
<b>Maximum Current:</b>	2.5A at 12Vdc / 1.25A at 24Vdc
<b>Average Power:</b>	15 Watts at 12Vdc (varies with flash pattern)
<b>Maximum Power:</b>	30 Watts
<b>Fuse Recommended:</b>	5A

## FLASHING MODES



## DIMENSIONS



## PRODUCT NUMBERS

Number	Description
21803Z	PROSIGNAL - ST26 - 12 LED SURFACE/MT - AMBER
21802Z	PROSIGNAL - ST26 - 12 LED SURFACE/MT - RED