


PAL06



DESCRIPTION

- ▶ The PAL06™ has been designed to be installed inside vehicle headlights. This two-head assembly is much more efficient and reliable than older models of timing lights.
- ▶ They can also be installed on the surface of the vehicle when ordered with the black, white, or chrome Bezels.
- ▶ Its design meets SAE J595 Class I standards.

FEATURES

- ▶ Multi-voltage input: 12Vdc
- ▶ 19 flash patterns
- ▶ High intensity LED modules (6 LED modules of 1 Watt per head)
- ▶ LEDs rated to 100 000 hours of operation
- ▶ Non-volatile memory recalls last flash pattern used at power up
- ▶ Weatherproof and vibration resistant design for internal or external use
- ▶ Black, white and chrome bezels are available to match the vehicle color
- ▶ Reverse polarity protection
- ▶ Multiple units can be synchronized
- ▶ Color available: 



ELECTRICAL SPECIFICATIONS

Operating Voltage:	12Vdc
Maximum Current:	1.3A at 12Vdc
Average Power:	7.8 Watts (varies with flash pattern)
Maximum Power:	15.6 Watts
Fuse Recommended:	2A

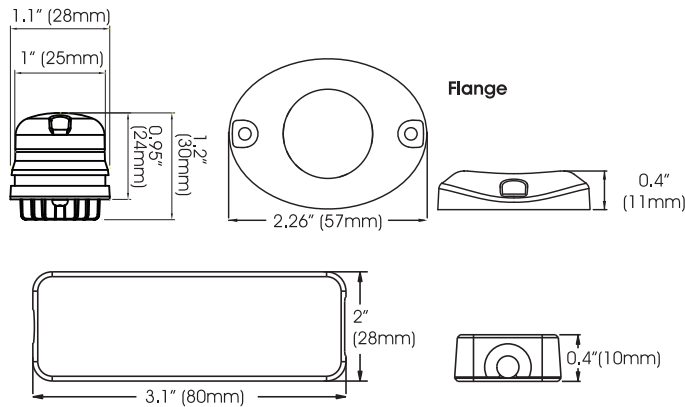
CONNECTING OPTIONS



AVAILABLE BEZELS



DIMENSIONS



PRODUCT NUMBERS

Number	Description
10103Z	PROSIGNAL - PAL06 - 6 LED HIDE-A-WAY 12V - AMBER
10102Z	PROSIGNAL - PAL06 - 6 LED HIDE-A-WAY 12V - RED
10105Z	PROSIGNAL - PAL06 - 6 LED HIDE-A-WAY 12V - BLUE
10101Z	PROSIGNAL - PAL06 - 6 LED HIDE-A-WAY 12V - WHITE
10107Z	PROSIGNAL - PAL06 - 6 LED HIDE-A-WAY 12V - RED/BLUE
10310Z	PROSIGNAL - PAL06 - SURFACE/MT BEZEL - BLACK
10320Z	PROSIGNAL - PAL06 - SURFACE/MT BEZEL - CHROME
10330Z	PROSIGNAL - PAL06 - SURFACE/MT BEZEL - WHITE