


OV9



DESCRIPTION

- ▶ The OV9™ is a new design corner light head that will outperform the use of two strobe LED Lightbars on a service vehicle if installed correctly.
- ▶ Choose a pair to reach 270° warning coverage or four units to reach 360° output that exceeds SAE J845 Class I standards.

FEATURES

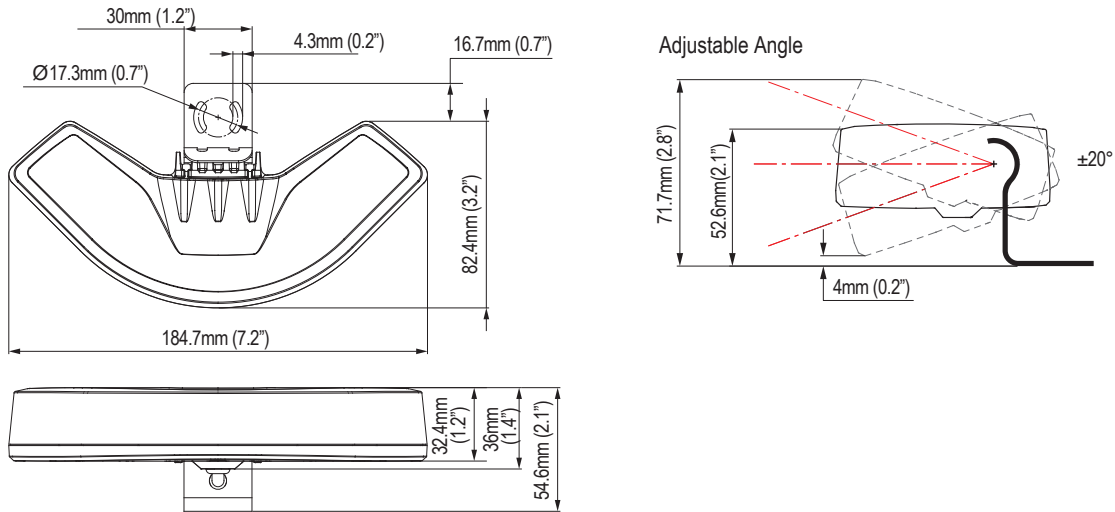
- ▶ Multi-voltage input: 12 to 24Vdc
- ▶ 18 flash patterns
- ▶ High intensity LED modules (9 LED modules of 1 Watt per corner light)
- ▶ LEDs rated to 100 000 hours of operation
- ▶ A slim design ideal for vehicles with limited space
- ▶ Dual programs available for Cruise mode or other flashing patterns
- ▶ Non-volatile memory recalls last flash pattern used at power up
- ▶ Weatherproof and vibration resistant design for internal or external use
- ▶ Versatile installation w/ Mini L-Bracket.
- ▶ Reverse polarity protection
- ▶ Up to 20 units can be synchronized
- ▶ Color available: 



ELECTRICAL SPECIFICATIONS

Operating Voltage:	12 to 24Vdc
Maximum Current:	1.58A at 12Vdc / 0.79A at 24Vdc
Average Power:	9.48 Watts (varies with flash pattern)
Maximum Power:	19 Watts
Fuse Recommended:	3A

DIMENSIONS



PRODUCT NUMBERS

Number	Description
27003Z	OV9 – (2x) 270° CORNER STROBE LED MODULES - AMBER