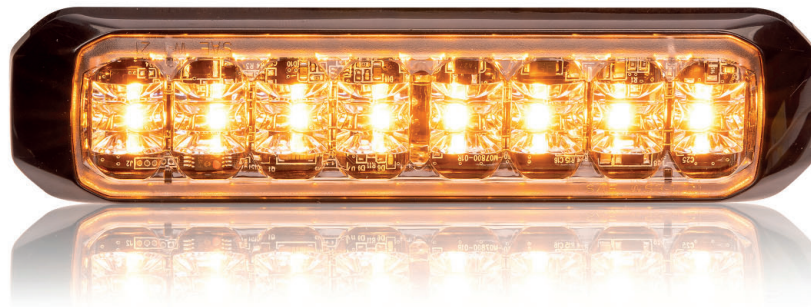


# MSPRIME



## DESCRIPTION

- ▶ The MSPRIME™ is a new and improved version of the best-seller MS6 perimeter light. We made sure to keep the same hole pattern so that it replaces the older version in the same spot. The comparison stops here, as the newer version is close to being twice as powerful and offers the possibility of choosing among three colors within the same light head.
- ▶ The new lens design offers 100° of lighting coverage that exceeds SAE J595 Class I standards.

## FEATURES

- ▶ Multi-voltage input: 12 to 24Vdc
- ▶ 20 flash patterns (Single Color)
- ▶ 30 flash patterns (Dual & Triple)
- ▶ High Intensity LED modules: 8 LED modules (Single)  
16 LED modules (Dual)  
18 LED modules (Triple)
- ▶ LEDs rated to 100 000 hours of operation
- ▶ 8 phase sequential flash operation available for versatile applications
- ▶ White bezel and chrome bezel are available to match the vehicle color
- ▶ Non-volatile memory recalls last flash pattern used at power up
- ▶ Weatherproof and vibration resistant design for internal or external use
- ▶ Reverse polarity protection
- ▶ Up to 20 units can be synchronized
- ▶ Color available:

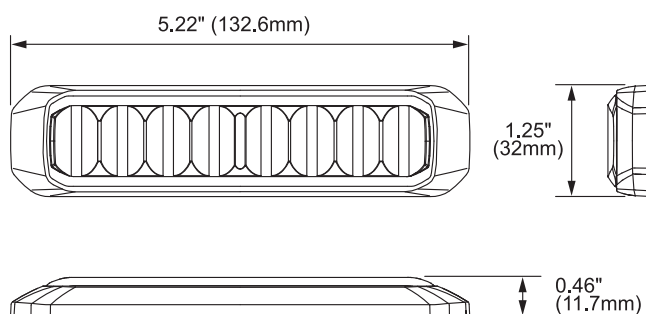




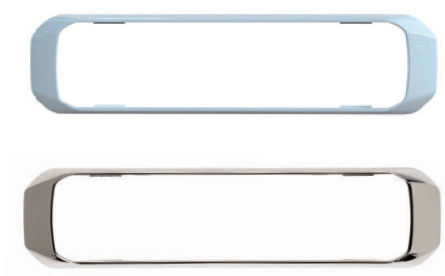
## ELECTRICAL SPECIFICATIONS

|                           |  |
|---------------------------|--|
| <b>Operating Voltage:</b> | 12 to 24Vdc                            |
| <b>Maximum Current:</b>   | 1.04A at 12Vdc / 0.52A at 24Vdc        |
| <b>Average Power:</b>     | 6.24 Watts (varies with flash pattern) |
| <b>Maximum Power:</b>     | 12.5 Watts                             |
| <b>Fuse Recommended:</b>  | 2A                                     |

## DIMENSIONS



## AVAILABLE BEZELS



## PRODUCT NUMBERS

| Number | Description   |
|--------|---|
| 21903Z | PROSIGNAL - MSP - 8 LED SINGLE COLOR- AMBER             |
| 21902Z | PROSIGNAL - MSP - 8 LED SINGLE COLOR- RED               |
| 21905Z | PROSIGNAL - MSP - 8 LED SINGLE COLOR- BLUE              |
| 21906Z | PROSIGNAL - MSP - 16 LED DUAL COLOR- RED/WHITE          |
| 21907Z | PROSIGNAL - MSP - 16 LED DUAL COLOR- RED/BLUE           |
| 21908Z | PROSIGNAL - MSP - 16 LED DUAL COLOR- AMBER/GREEN        |
| 21922Z | PROSIGNAL - MSP - 16 LED TRIPLE COLOR- RED/AMBER/WHITE  |
| 21925Z | PROSIGNAL - MSP - 16 LED TRIPLE COLOR- BLUE/AMBER/WHITE |
| 21922Z | PROSIGNAL - MSP - SURFACE/MT BEZEL - CHROME             |
| 21925Z | PROSIGNAL - MSP - SURFACE/MT BEZEL - WHITE              |