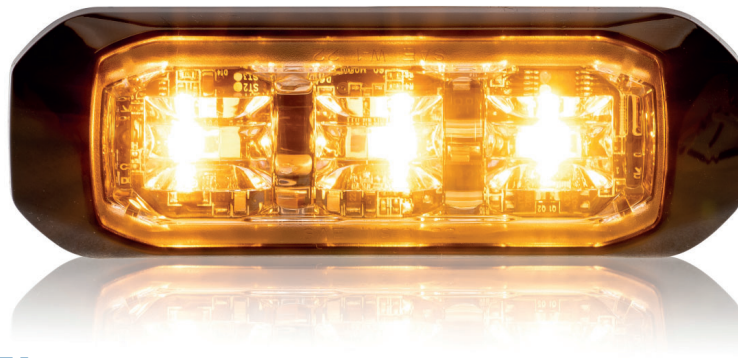


MSPRIME MINI



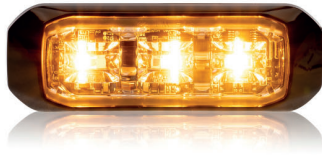
DESCRIPTION

- ▶ The MSPrime™ MINI is a new and improved version of the best-seller MS3 perimeter light. We made sure to keep the same hole pattern so that it replaces the older version in the same spot. The comparison stops here, as the newer version is close to being twice as powerful and offers the possibility of choosing among three colors within the same light head.
- ▶ The new lens design offers lighting coverage that exceeds SAE J845 Class I standards.

FEATURES

- ▶ Multi-voltage input: 12Vcc
- ▶ 20 flash patterns (Single Color)
- ▶ 30 flash patterns (Dual)
- ▶ 28 flash patterns (Triple)
- ▶ High Intensity LED modules: 3 LED modules (Single)
6 LED modules (Dual)
9 LED modules (Triple)
- ▶ LEDs rated to 100 000 hours of operation
- ▶ 8 phase sequential flash operation available for versatile applications
- ▶ White bezel and chrome bezel are available to match the vehicle color
- ▶ Non-volatile memory recalls last flash pattern used at power up
- ▶ Weatherproof and vibration resistant design for internal or external use
- ▶ Reverse polarity protection
- ▶ Up to 20 units can be synchronized
- ▶ Color available:

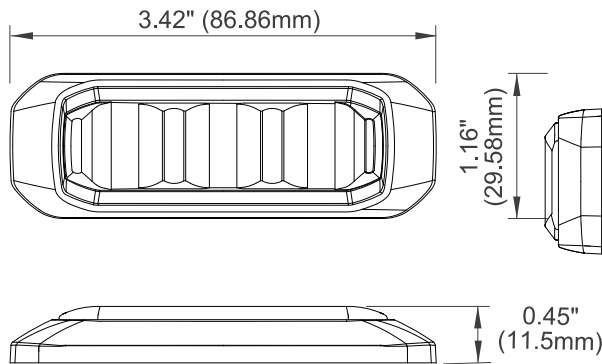




ELECTRICAL SPECIFICATIONS

Operating Voltage:	12Vcc
Maximum Current:	0.78A at 12Vcc
Average Power:	4.68 Watts (varies with flash pattern)
Maximum Power:	9.36 Watts
Fuse Recommended:	1A

DIMENSIONS



AVAILABLE BEZELS



PRODUCT NUMBERS

Number	Description
22903Z	PROSIGNAL - MSP MINI - 3 LED SINGLE COLOR - AMBER
22902Z	PROSIGNAL - MSP MINI - 3 LED SINGLE COLOR - RED
22908Z	PROSIGNAL - MSP MINI - 6 LED DUAL COLOR - GREEN/AMBER
22922Z	PROSIGNAL - MSP MINI - 9 LED TRIPLE COLOR- RED/AMBER/WHITE
22925Z	PROSIGNAL - MSP MINI - 9 LED TRIPLE COLOR- BLUE/AMBER/WHITE
22930Z	PROSIGNAL - MSP MINI - SURFACE/MT BEZEL - CHROME
22931Z	PROSIGNAL - MSP MINI - SURFACE/MT BEZEL - WHITE