


MINI FALCON



DESCRIPTION

- ▶ Fully waterproof and vibration resistant, the Mini Falcon™ is the best compromise you can get between quality and price on the market.
- ▶ This Minibar design offers superior 360° output that meets SAE J845 Class 1 standards.

FEATURES

- ▶ Multi-voltage input: 12 to 24Vdc
- ▶ 29 selectable flash patterns
- ▶ High intensity LED modules [24 LED modules of 1 Watt]
- ▶ Low power function for night time use
- ▶ Non-volatile memory recalls last flash pattern used at power up
- ▶ Weatherproof and vibration resistant design for internal or external use
- ▶ Available in permanent or magnetic mount
- ▶ Reverse polarity protection
- ▶ Multiple units can be synchronized
- ▶ Color available: 

ELECTRICAL SPECIFICATIONS

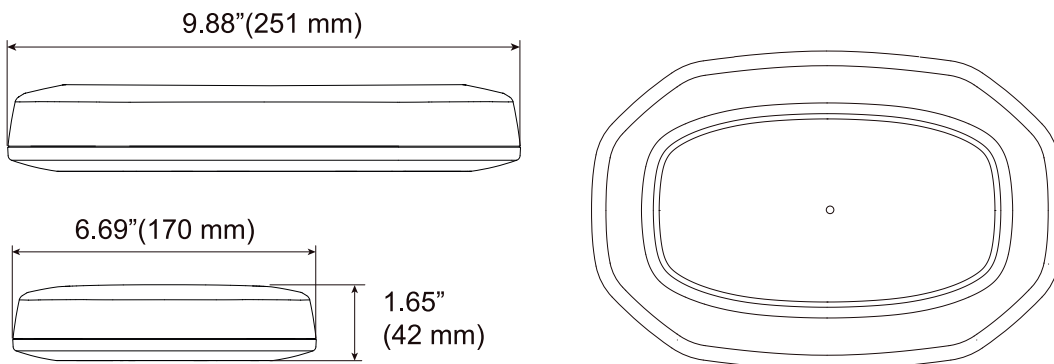
Operating Voltage:	12Vdc to 24Vdc
Maximum Draw:	3A to 12Vdc / 1.5A to 24Vdc
Average Power:	19 Watts (varies with pattern)
Maximum Power:	36 Watts
Fuse Recommended:	5A

*Consumption in Steady-On mode.

CONNECTING OPTIONS



DIMENSIONS



PRODUCT NUMBERS

Number	Description
72813Z	PROSIGNAL - MINI FALCON - PERMANENT/MT 12-24V – AMBER
72803Z	PROSIGNAL - MINI FALCON - MAGNETIC/MT 12-24VDC – AMBER
72200Z	"U" BRACKET SINGLE BOLT
72803Z-KIT-VENTOUSE	"U" BRACKET WITH PUMP VACCUM SUCTION CUP