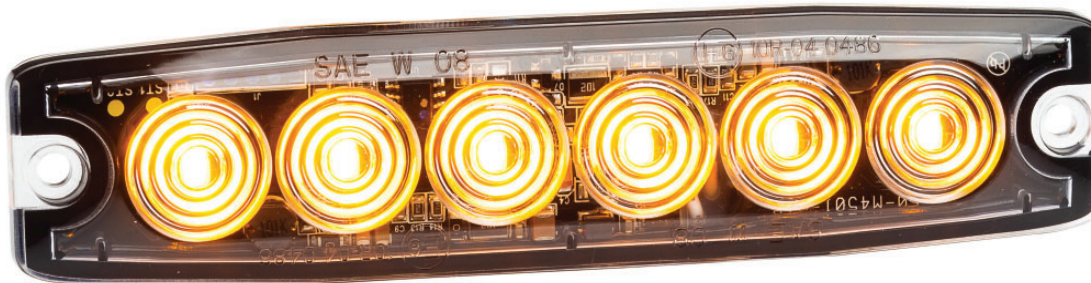



LP6



DESCRIPTION

- ▶ Fully waterproof, the super thin LP6™ module can be installed in any location. It is ideal for installations requiring the utmost discretion. They are the most economical strobe led module in their category.
- ▶ Its design meets SAE J845 Class I standards.

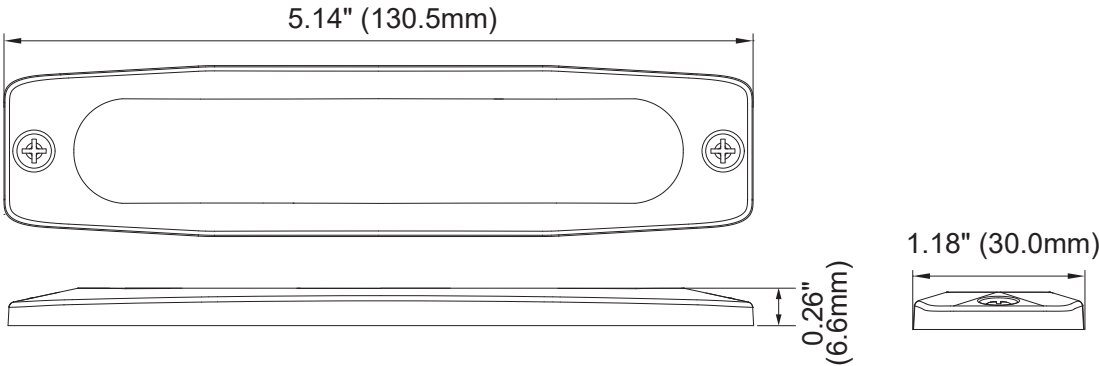
FEATURES

- ▶ Multi-voltage input: 12 to 24Vdc
- ▶ 23 flash patterns
- ▶ High intensity LED modules (6 LED modules of 1 Watt)
- ▶ LEDs rated to 100 000 hours of operation
- ▶ Non-volatile memory recalls last flash pattern used at power up
- ▶ Weatherproof and vibration resistant design for internal or external use
- ▶ Reverse polarity protection
- ▶ Multiple units can be synchronized
- ▶ Color available: 

ELECTRICAL SPECIFICATIONS

Operating Voltage:	12 to 24Vdc
Maximum Current:	1.15A at 12Vdc / 0.58A at 24Vdc
Average Power:	6.9 Watts at 12Vc (varies with flash pattern)
Maximum Power:	13.8 Watts
Fuse Recommended:	3A

DIMENSIONS



PRODUCT NUMBERS

Number	Description
25203Z	PROSIGNAL - LP6 - 6 LED SURFACE MOUNT - AMBER