

# LED-HL-7



Day time running lights built in

## DESCRIPTION

- ▶ The LED-HL-7™ headlight is ideal for truck owners wanting to improve their night driving by remaining legal. Assembled in a die-cast aluminum housing, these headlights are completely weatherproof and resistant to vibration. Their beam pattern is SAE DOT approved for the road and they have daytime running lights built in to increase visibility for the other drivers.
- ▶ This LED headlight will mate with the same wiring connector as your original halogen one.

## FEATURES

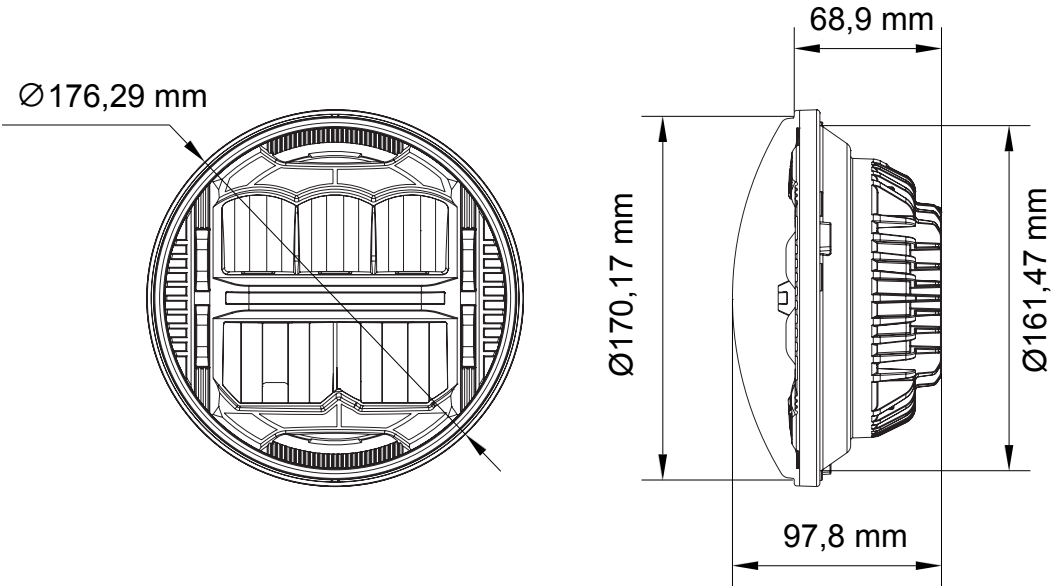
- ▶ High & Low Beam Version
- ▶ Multi-voltage input: 12 to 24Vdc
- ▶ 1008 lumens (Low Beam) / 1380 lumens (High Beam)
- ▶ 2 LED of 15 Watts (Low Beam)
- ▶ 3 LED of 10 Watts (High Beam)
- ▶ CREE LEDs (High Beam)
- ▶ Osram LEDs (Low Beam)
- ▶ Die-cast aluminum housing & polycarbonate lens
- ▶ Color Temperature: 6000K
- ▶ Water & vibration resistant
- ▶ Certificates: CE, RoHS, IP67, IP69K, ECE, R10, DOT



# ELECTRICAL SPECIFICATIONS

<b>Operating Voltage:</b>	12 to 24Vdc
<b>Current Draw:</b>	1.48A at 12Vdc / 0.74A at 24Vdc (Low Beam) 1.76A at 12Vdc / 0.88A at 24Vdc (High Beam)
<b>Maximum Power:</b>	60 Watts

# DIMENSIONS



# PRODUCT NUMBERS

Number	Description
LED-HL-7	PROSIGNAL - PAIR OF LED HEADLIGHTS (HI & LO) 60W-6000K DOT - 7"Ø