

LED-HL-5X7-SP8



DRL integrated



Visible flasher from behind

DESCRIPTION

- ▶ The LED-HL-5X7-SP8™ heated headlight is ideal for snow-plow truck owners wanting to improve their night driving by remaining legal. Assembled in a die-cast aluminum housing, these headlights are completely weatherproof and resistant to vibration. Their beam pattern is SAE DOT approved for the road and they have DRL function and turn signal function. If the temperature goes below 5° C the lens will start to heat up to melt the snow.
- ▶ This LED headlight will mate with the same wiring connector as your original halogen one.

FEATURES

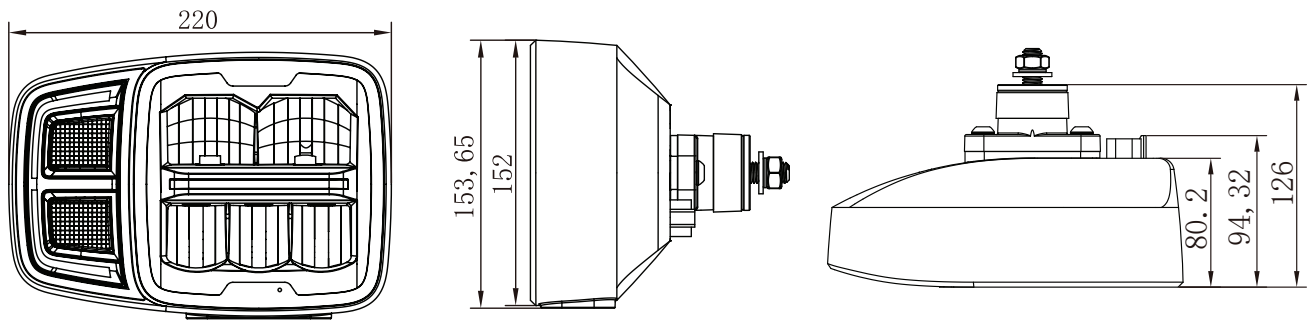
- ▶ Multi-voltage input: 12 to 24Vdc
- ▶ High (3564 Lm) & Low Beam (1620 Lm) Version
- ▶ 2 Osram LED of 15 Watts each (low beam)
- ▶ 3 CREE LED of 10 Watts each (high beam)
- ▶ Daytime Running Lights & Turn Signal built in
- ▶ Self heating lens for snow melting (+/- 5° C)
- ▶ Color temperature 6000k
- ▶ Allows two ways of mounting: bottom and rear
- ▶ Diecast aluminum housing & glass lens
- ▶ Water & vibration resistant
- ▶ Certificates: CE, RoHS, IP67, ECE, R10, SAE DOT



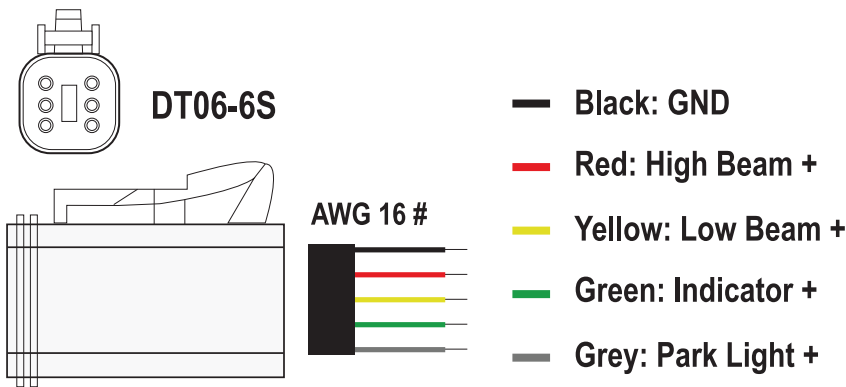
ELECTRICAL SPECIFICATIONS

Operating Voltage:	10 to 30Vdc
Current Draw:	4.8A at 12Vdc / 2.33A at 24Vdc (Low Beam/with heat function) 1.58A at 12Vdc / 0.86A at 24Vdc (Low Beam/without heat function) 6.81A at 12Vdc / 3.54A at 24Vdc (High Beam/with heat function) 3.66A at 12Vdc / 1.91A at 24Vdc (High Beam/without heat function)
Maximum Power:	60 Watts

DIMENSIONS



WIRING DIAGRAM



PRODUCT NUMBERS

Number	Description
LED-HL-5X7-SP8	PROSIGNAL - PAIR OF HEATED LED HEADLIGHTS (HI & LO) 60W-6000K DOT - 5" X 7"