

LED-4X6-L-HEAT



Day time running lights built in

DESCRIPTION

- ▶ The powerful self-heating LED-4X6-L-HEAT™ headlights are ideal for truck owners wishing to improve their winter driving at night while remaining legal. Assembled in a die-cast aluminum housing, these headlights are completely weatherproof and resistant to vibration. Their beam pattern is SAE DOT approved for the road and they have daytime running lights built in to increase visibility for the other drivers.
- ▶ This LED headlight will mate with the same wiring connector as your original halogen one.

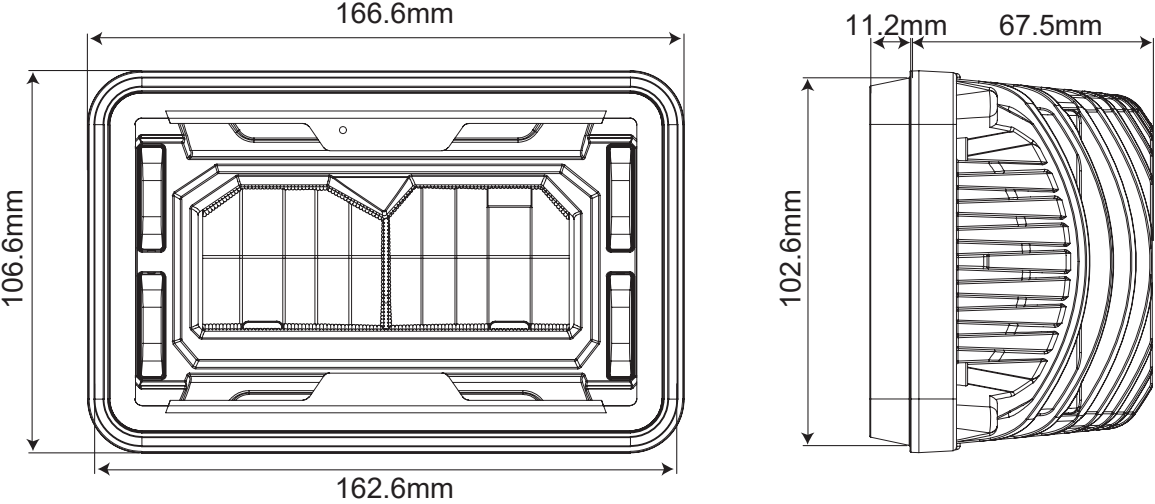
FEATURES

- ▶ Low Beam
- ▶ Self-heating lens to melt snow [$\pm 5^{\circ}\text{C}$]
- ▶ 1908 Lumen
- ▶ 2 OSRAM LED of 15 Watts
- ▶ Color temperature 6000K
- ▶ Diecast aluminum housing & glass lens
- ▶ Water & vibration resistant
- ▶ Certificates : CE, RoHS, IP69K, ECE, R10, SAE DOT

ELECTRICAL SPECIFICATIONS

| | |
|---------------------------|---------------------------------|
| Operating Voltage: | 10 to 30Vdc |
| Current Draw: | 1.47A at 12Vdc / 0.78A at 24Vdc |
| Maximum Power: | 30 Watts |

DIMENSIONS



PRODUCT NUMBERS

| Number | Description |
|----------------|---|
| LED-4X6-L-HEAT | PROSIGNAL - HEATED LED HEADLIGHT (LOW BEAM) 30W-6000K DOT - 4" X 6"/DRL |