

# LED-4X6-H-HEAT



Day time running lights built in

## DESCRIPTION

- ▶ The powerful self-heating LED-4X6-H-HEAT™ headlights are ideal for truck owners wishing to improve their winter driving at night while remaining legal. Assembled in a die-cast aluminum housing, these headlights are completely weatherproof and resistant to vibration. Their beam pattern is SAE DOT approved for the road and they have daytime running lights built in to increase visibility for the other drivers.
- ▶ This LED headlight will mate with the same wiring connector as your original halogen one.

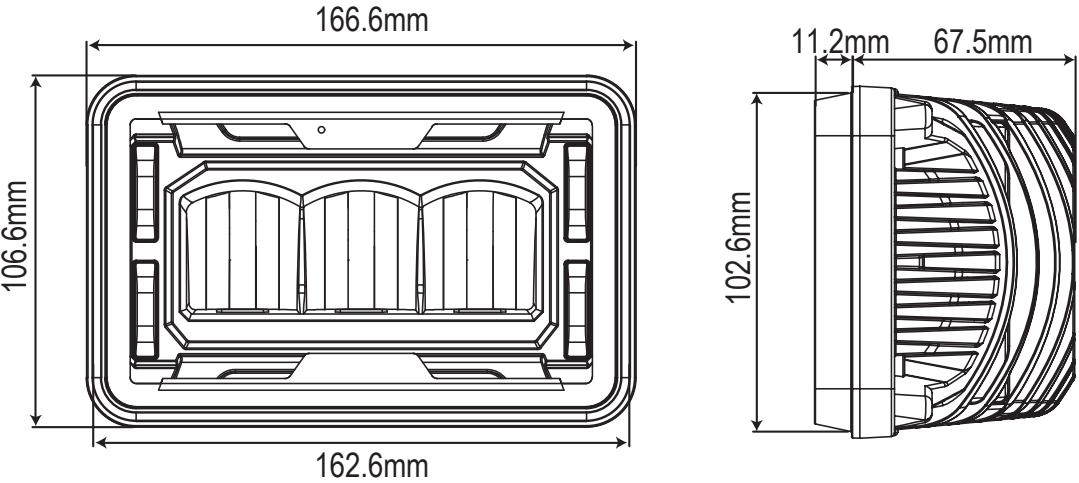
## FEATURES

- ▶ High Beam
- ▶ Self-heating lens to melt snow [ $\pm 5^{\circ}\text{C}$ ]
- ▶ 2669 Lumen
- ▶ 3 CREE LED of 10 Watts
- ▶ Color temperature 6000K
- ▶ Diecast aluminum housing & glass lens
- ▶ Water & vibration resistant
- ▶ Certificates : CE, RoHS, IP69K, ECE, R10, SAE DOT

# ELECTRICAL SPECIFICATIONS

<b>Operating Voltage:</b>	10 to 30Vdc
<b>Current Draw:</b>	2.45A at 12Vdc / 1.21A at 24Vdc
<b>Maximum Power:</b>	30 Watts

# DIMENSIONS



# PRODUCT NUMBERS

Number	Description
LED-4X6-H-HEAT	PROSIGNAL - HEATED LED HEADLIGHT (HIGH BEAM) 30W-6000K DOT - 4" X 6"/DRL