



HB6



DESCRIPTION

- ▶ The HB6™ is the latest technology in road visibility. featuring 6 high-powered LEDs surrounded by an independent outer halo-ring. The inner 6 LEDs provide the warning function, while the halo-ring can be used as a side marker or many other applications.
- ▶ Its design meets SAE J845 Class I standards.

FEATURES

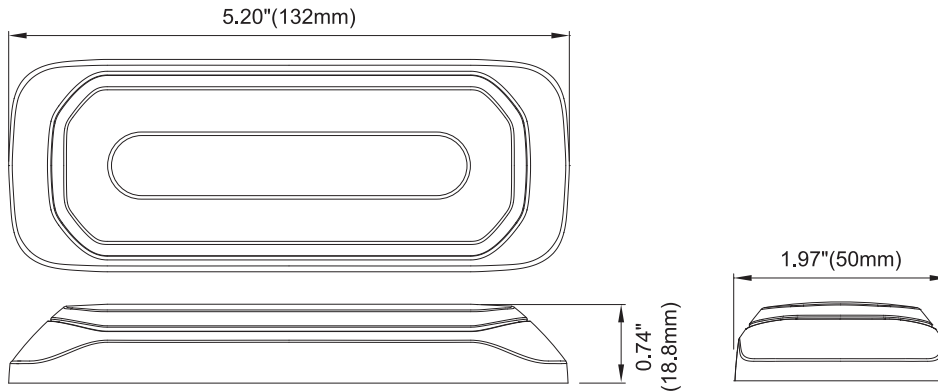
- ▶ Multi-voltage input: 12 to 24Vdc
- ▶ 14 flash patterns
- ▶ 6 High intensity LED modules (Warning Light)
- ▶ 18 lower intensity LEDs. (Halo-Ring)
- ▶ LEDs rated to 100 000 hours of operation
- ▶ Non-volatile memory recalls last flash pattern used at power up
- ▶ Weatherproof and vibration resistant design for internal or external use
- ▶ The halo-ring is independent, it can be used for: scene lighting, additional turn signaling, additional brake signaling, etc.
- ▶ Reverse polarity protection
- ▶ Multiple units can be synchronized
- ▶ Color available:  



ELECTRICAL SPECIFICATIONS

Operating Voltage:	12 to 24Vdc
Maximum Current:	1.35A at 12Vdc / 0.75A at 24Vdc
Average Power:	9 Watts (varies with flash pattern)
Maximum Power:	18 Watts
Fuse Recommended:	2A

DIMENSIONS



PRODUCT NUMBERS

Number	Description
21703Z	PROSIGNAL - HB6 - 6 LED + HALO/BLACK BEZEL - AMBER/AMBER
21702Z	PROSIGNAL - HB6 - 6 LED + HALO/BLACK BEZEL - RED/RED