


# HAL09



## DESCRIPTION

- ▶ The HAL09™ has been designed to be installed inside vehicle headlights. This two-head assembly is much more efficient and reliable than older models of timing lights.
- ▶ They can also be installed on the surface of the vehicle when ordered with the black, white, or chrome Bezels.
- ▶ Its design meets SAE J595 Class I standards.

## FEATURES

- ▶ Multi-voltage input: 12 to 24Vdc
- ▶ 19 flash patterns
- ▶ High intensity LED modules (9 LED modules of 1 Watt per head)
- ▶ LEDs rated to 100 000 hours of operation
- ▶ 360° visibility with three-sided LEDs
- ▶ Non-volatile memory recalls last flash pattern used at power up
- ▶ Weatherproof and vibration resistant design for internal or external use
- ▶ Black, white and chrome bezels are available to match the vehicle color
- ▶ Reverse polarity protection
- ▶ Multiple units can be synchronized
- ▶ Color available: 



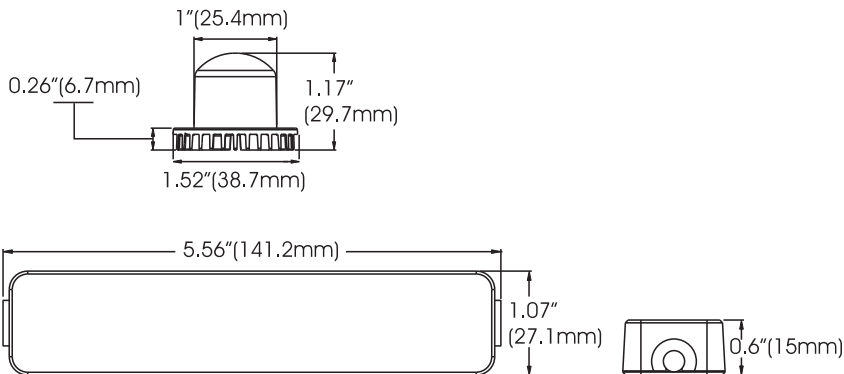
## ELECTRICAL SPECIFICATIONS

<b>Operating Voltage:</b>	12 to 24Vdc
<b>Maximum Current:</b>	2.5A at 12Vdc / 1.25 at 24Vdc
<b>Average Power:</b>	7.8 Watts (varies with flash pattern)
<b>Maximum Power:</b>	15.6 Watts
<b>Fuse Recommended:</b>	2A

## AVAILABLE BEZELS



## DIMENSIONS



## PRODUCT NUMBERS

Number	Description
10003Z	PROSIGNAL - HAL09 - 9 LED HIDE-A-WAY - AMBER
10002Z	PROSIGNAL - HAL09 - 9 LED HIDE-A-WAY - RED
10005Z	PROSIGNAL - HAL09 - 9 LED HIDE-A-WAY - BLUE
10001Z	PROSIGNAL - HAL09 - 9 LED HIDE-A-WAY - WHITE
10007Z	PROSIGNAL - HAL09 - 9 LED HIDE-A-WAY - RED/BLUE
10310Z	PROSIGNAL - HAL09 - SURFACE/MT BEZEL - BLACK
10320Z	PROSIGNAL - HAL09 - SURFACE/MT BEZEL - CHROME
10330Z	PROSIGNAL - HAL09 - SURFACE/MT BEZEL - WHITE