

FL3 BLUETOOTH



Bluetooth



DESCRIPTION

- ▶ LED signaling Arrow Board and Bluetooth controller to signal the presence of a working area and redirect traffic.
- ▶ Bluetooth wireless communication (max. distance = 30') between the controller and the signaling Arrow Board allows quick and easy installation.
- ▶ Ideal for rental vehicles as no holes need to be made to connect the keypad located inside the cabin to the arrow located outside.
- ▶ The installation is centralized at the Arrow Board, as the 2 strobe lights and the motor for elevation are connected directly to the Arrow Board.
- ▶ Its rugged construction meets specifications dictated by the Ministry of Transport of Quebec, paragraph 4.37.1, VOLUME V.

FEATURES

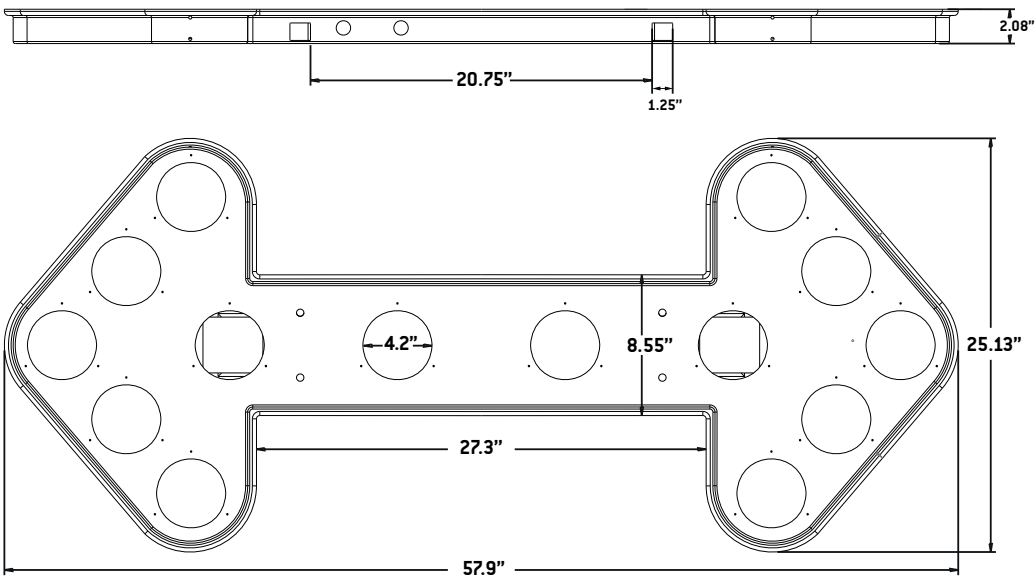
- ▶ Bluetooth wireless communication
- ▶ Easy-to-use controller
- ▶ The 2 strobe lights and the motor connect directly to the arrow board
- ▶ Heavy-duty flexible power cable for ease of installation
- ▶ LED lighting for better performance and lower energy consumption
- ▶ Built-in regulators to maintain constant brightness under a power supply ranging between 10 and 18Vdc
- ▶ Made of weather-resistant plastic
- ▶ Integrated photocell

15 Lamp Model Available

ELECTRICAL SPECIFICATIONS

Operating Voltage:	10 to 18Vdc
Operating Temperature:	-40°C to 75°C (-40°F to 167°F)
Current Draw: (Supply voltage = 12.0V)	Without IGNITION / Output disabled = less than 5mA With IGNITION / Output disabled = 50mA With IGNITION / Output all activated with no load = 600mA
Output Power :	i. Heater : 12V, 15A ii. Motor : 12V, 10A iii. Strobe Light : 12V, 5A iv. Aux. : 12V, 5A

DIMENSIONS



PRODUCT NUMBERS

Number	Description
FL3-L21240	14x40 - LED ARROWBOARD (HALF SUN-VISOR) - 40 FEET CABLE
FL4-L21240	15x40 - LED ARROWBOARD (HALF SUN-VISOR) - 40 FEET CABLE
FL3-L21240-K	KIT 14x40 - LED ARROWBOARD (HALF SUN-VISOR) & KEYBOARD - 40 FEET CABLE
FL4-L21240-K	KIT 15x40 - LED ARROWBOARD (HALF SUN-VISOR) & KEYBOARD - 40 FEET CABLE
CLAV08BT-0010-KIT	KIT FOR BLUETOOTH ARROWBOARD : KEYBOARD 001 REVO / POWER MODULE
CLAV08BT-0010	8-KEY BLUETOOTH KEYBOARD CONFIGURATION 001, REVO