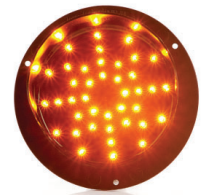
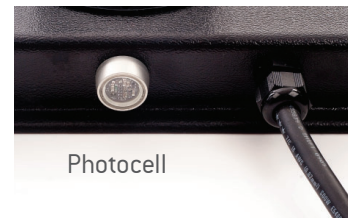


## FL1 LED



L2



Photocell

### DESCRIPTION

- ▶ Signaling Arrow Board used to announce the presence of a work zone and to indicate to the road users the direction of the bypass lane.
- ▶ Its rugged construction meets specifications dictated by the Ministry of Transport of Quebec, paragraph 4.37.1, VOLUME V.

### FEATURES

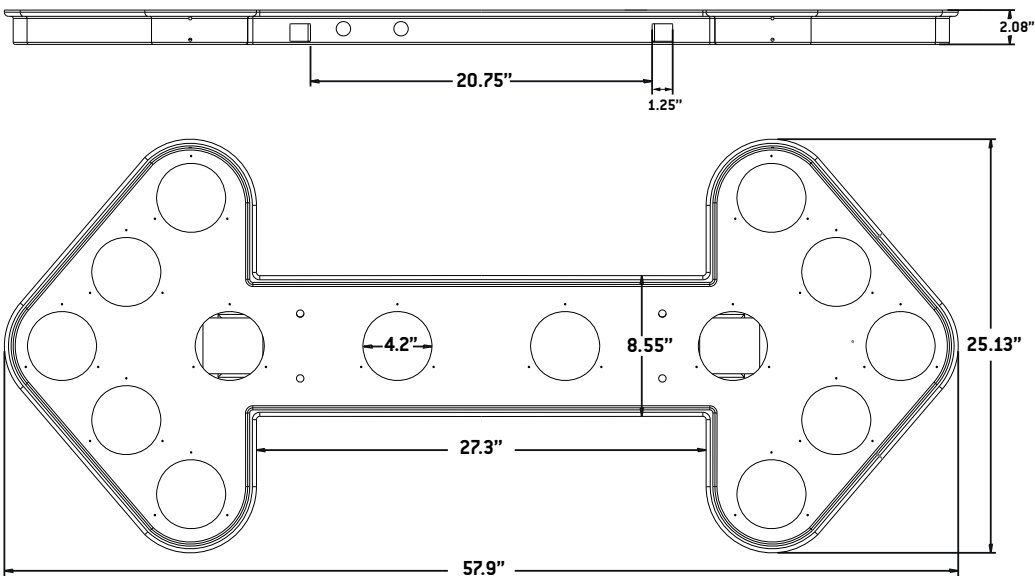
- ▶ Robust power cable with flexible sheath for easy installation
- ▶ The standard cable length is either 20, 40 or 60 feet (can be modified upon request)
- ▶ Continuous light source with 14 optical blocks
- ▶ LED (Light Emitting Diodes) for better performance and reduced energy consumption
- ▶ Equipped with an integrated current controller to maintain constant brightness in a voltage range between 10 and 18Vdc
- ▶ Made of weather-resistant plastic

**15 Lamp Model Available**

## ELECTRICAL SPECIFICATIONS

<b>Operating Voltage:</b>	10 to 18Vdc
<b>Operating Temperature:</b>	-40°C to 75°C (-40°F to 167°F)
<b>Maximum Current Draw (Flashing Mode):</b>	LED40: 2.4A (varies with pattern) LED60: 3.6A (varies with pattern)

## DIMENSIONS



## PRODUCT NUMBERS

Number	Description
FL1-L21220	14x 40-LED ARROWBOARD (HALF SUN-VISOR) - 20 FEET CABLE
FL1-L21240	14x 40-LED ARROWBOARD (HALF SUN-VISOR) - 40 FEET CABLE
FL1-L21260	14x 40-LED ARROWBOARD (HALF SUN-VISOR) - 60 FEET CABLE
FL2-L21220	15x 40-LED ARROWBOARD (HALF SUN-VISOR) - 20 FEET CABLE
FL2-L21240	15x 40-LED ARROWBOARD (HALF SUN-VISOR) - 40 FEET CABLE
L2	40 LED LAMP + HALF SUN-VISOR FOR ARROWBOARD - AMBER
CTRL-FL1	ARROW BOARD CONTROLLER
INTEGRA-BASIC-KIT-01	INTEGRA-BASIC KIT - KEYPAD 01 (ARROW & ACCESSORIES)