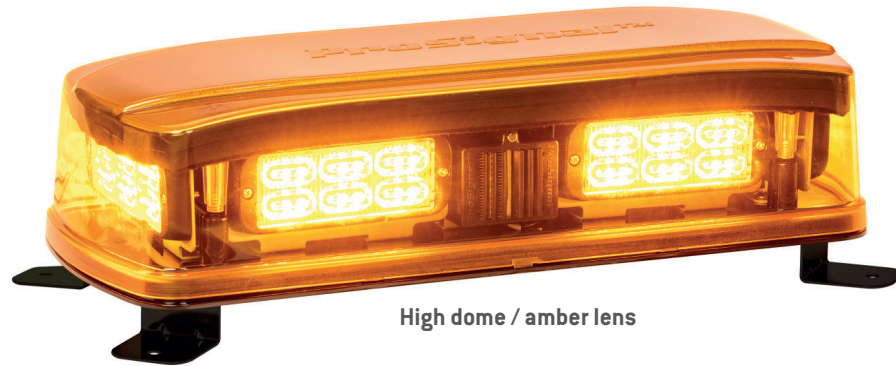


FIERY HEAT






High dome / amber lens

DESCRIPTION

- ▶ Designed from the ground up to help the snow removal industry, the Fiery™ Heated prevents the accumulation of snow in stormy weather.
- ▶ This product meets SAE J845 Class 1 standards.

FEATURES

- ▶ Voltage input: 12Vdc
- ▶ Heated / Permanent mount
- ▶ 21 selectable flash patterns
- ▶ Low dome: 9 LED of 1 watt per module / High dome: 18 LED of 1 watt per module (6 modules)
- ▶ Low power function for night time use
- ▶ The heater and fan shut down when low voltage is detected (11.7V)
- ▶ Non-volatile memory recalls last flash pattern used at power up
- ▶ Weatherproof and vibration resistant
- ▶ Reverse polarity protection
- ▶ Low or high dome available
- ▶ Multiple units can be synchronized
- ▶ LED Color available: 
- ▶ Lens Color available:  

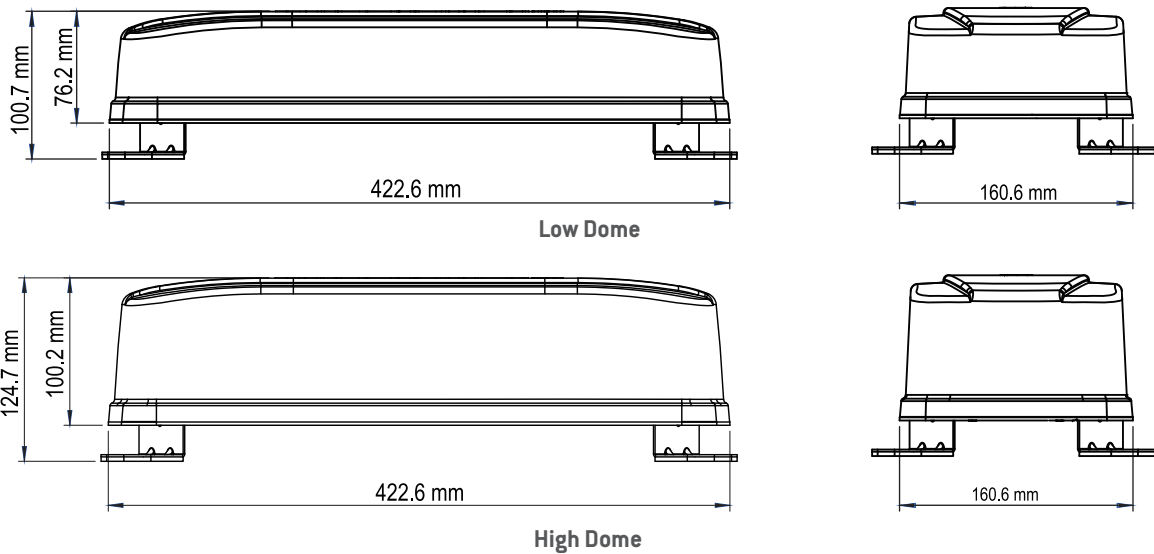


ELECTRICAL SPECIFICATIONS

Operating Voltage:	12Vdc
Maximum Draw:	1.8A (LED only - Low dome) 11A (LED + Heat) 2.6A (LED only - High dome) 13A (LED + Heat)
Maximum Power:	22 Watts (LED only - Low dome) 132 Watts (LED + Heat) 44 Watts (LED only - High dome) 156 Watts (LED + Heat)
Fuse Recommended:	15A

*Consumption in Steady-On mode.

DIMENSIONS



PRODUCT NUMBERS

Number	Description
96813Z	PROSIGNAL - FIERY HEAT - LOW DOME PERMANENT/MT 12V - AMBER / CLEAR LENS
96803Z	PROSIGNAL - FIERY HEAT - LOW DOME PERMANENT/MT 12V - AMBER / AMBER LENS
96863Z	PROSIGNAL - FIERY HEAT - HIGH DOME PERMANENT/MT 12V - AMBER / CLEAR LENS
96833Z	PROSIGNAL - FIERY HEAT - HIGH DOME PERMANENT/MT 12V - AMBER / AMBER LENS