

ED6



DESCRIPTION

- ▶ With the new vehicles on the market and their increasingly compact front grills, the ED6™ is ideal to be installed where space is limited. This product comes with various mounting options.
- ▶ The design offers lighting output that exceeds SAE J595 Class I standards.

FEATURES

- ▶ Multi-voltage input: 12 to 24Vdc
- ▶ 18 flash patterns (Single Color)
- ▶ 28 flash patterns (Dual Color)
- ▶ High Intensity 6 LED modules
- ▶ LEDs rated to 100 000 hours of operation
- ▶ Non-volatile memory recalls last flash pattern used at power up
- ▶ Weatherproof and vibration resistant design for internal or external use
- ▶ Reverse polarity protection
- ▶ Up to 20 units can be synchronized

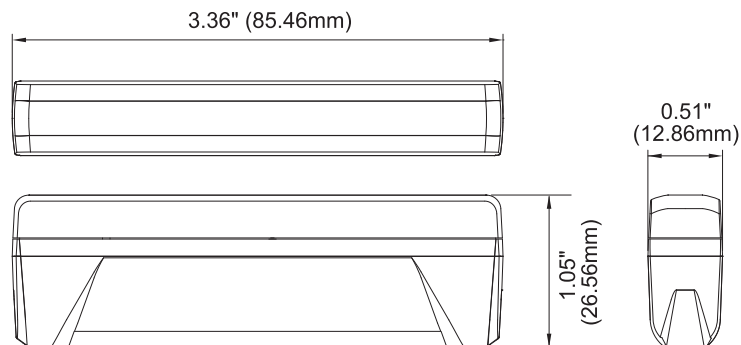
- ▶ Color available:    
  



ELECTRICAL SPECIFICATIONS

| | |
|---------------------------|--|
| Operating Voltage: | 12 to 24Vdc |
| Maximum Current: | 1.2A at 12Vdc / 0.6A at 24Vdc |
| Average Power: | 7.2 Watts Single Color (varies with flash pattern) 3.6 Watts Dual Color (varies with flash pattern) |
| Maximum Power: | 14.4 Watts |
| Fuse Recommended: | 2A |

DIMENSIONS



PRODUCT NUMBERS

| Number | Description |
|--------|--|
| 26213Z | PROSIGNAL - ED6 - 6 LED GRILL MOUNT SLIM - AMBER |
| 26212Z | PROSIGNAL - ED6 - 6 LED GRILL MOUNT SLIM - RED |
| 26215Z | PROSIGNAL - ED6 - 6 LED GRILL MOUNT SLIM - BLUE |
| 26211Z | PROSIGNAL - ED6 - 6 LED GRILL MOUNT SLIM - WHITE |
| 26218Z | PROSIGNAL - ED6 - 6 LED GRILL MOUNT SLIM - AMBER/WHITE |
| 26216Z | PROSIGNAL - ED6 - 6 LED GRILL MOUNT SLIM - RED/WHITE |
| 26219Z | PROSIGNAL - ED6 - 6 LED GRILL MOUNT SLIM - BLUE/WHITE |