


B15



DESCRIPTION

- ▶ Featuring a dust cover lens, the B15™ Beacon is ideal for installation on heavy vehicles.
- ▶ It is very easy to clean and its tall size provides a very good visibility. The B15™ Meets SAE J845 Class I standards.

FEATURES

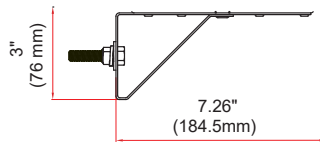
- ▶ Multi-voltage input: 12 to 24Vdc
- ▶ 12 selectable flash patterns
- ▶ High intensity LED modules (12 LED modules of 3 Watts)
- ▶ LEDs rated to 100 000 hours of operation
- ▶ Non-volatile memory recalls last flash pattern used at power up
- ▶ Weatherproof and vibration resistant design for internal or external use
- ▶ Available in permanent or magnetic mount
- ▶ Offers various mounting brackets: Shelf Mount & Mirror Mount
- ▶ Reverse polarity protection
- ▶ Multiple units can be synchronized
- ▶ Color available: 

ELECTRICAL SPECIFICATIONS

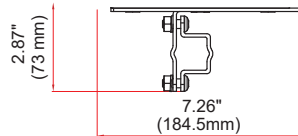
Operating Voltage:	12 to 24Vdc
Maximum Current:	3.8A at 12Vdc / 1.9A at 24Vdc
Average Power:	16 Watts (varies with pattern)
	32 Watts
Fuse Recommended:	4A

OPTIONAL MOUNTING BRACKETS

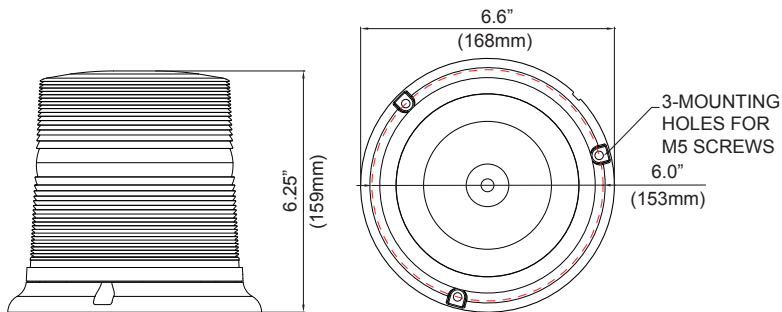
Shelf Mount



Mirror Mount



DIMENSIONS



PRODUCT NUMBERS

Number	Description
77003Z	PROSIGNAL - BEACON B15 - 12-LED PERMANENT - AMBER
77013Z	PROSIGNAL - BEACON B15 - 12-LED MAGNETIC - AMBER
77000Z	PROSIGNAL - BEACON B15 - LENS - AMBER
77xxxZ-SHELF	PROSIGNAL - BEACON B15/B17/B19 MOUNTING BRACKET - SHELF
77xxxZ-MIRROR	PROSIGNAL - BEACON B15/B17/B19 MOUNTING BRACKET - MIRROR