



# B14 DIN POLE



## DESCRIPTION

- ▶ Featuring a dust cover lens & a Din Pole, the B14™ Beacon is generally installed on agricultural vehicle and at the back of a float.
- ▶ Its 10 LED of 3 Watts each provides a powerful brightness that exceeds SAE J845 Class I standards.

## FEATURES

- ▶ Multi-voltage input: 12 to 24Vdc
- ▶ 14 selectable flash patterns
- ▶ High intensity LED modules ( 10 LED modules of 3 Watts )
- ▶ LEDs rated to 100 000 hours of operation
- ▶ Non-volatile memory recalls last flash pattern used at power up
- ▶ Weatherproof and vibration resistant design for internal or external use
- ▶ Available in Din Pole mount
- ▶ Reverse polarity protection
- ▶ Multiple units can be synchronized
- ▶ Color available:  

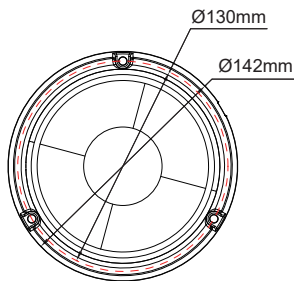
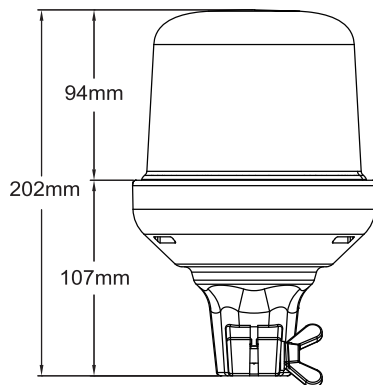


## ELECTRICAL SPECIFICATIONS

<b>Operating Voltage:</b>	12 to 24Vdc
<b>Maximum Current:</b>	3.3A at 12Vdc / 1.75A at 24Vdc
<b>Average Power:</b>	21 Watts (varies with pattern)
<b>Maximum Power:</b>	42 Watts
<b>Fuse recommended:</b>	5A

## DIMENSIONS

### DIN Pole Mount



77xxxZ-DIN-2

## PRODUCT NUMBERS

Number	Description
77323Z	PROSIGNAL - BEACON B14 - 10-LED DIN-POLE - AMBER
77325Z	PROSIGNAL - BEACON B14 - 10-LED DIN-POLE - BLUE
77xxxZ-DIN-2	PROSIGNAL - MOUNTING STEM - DIN POLE/BEACON
77xxxZ-DIN-6	PROSIGNAL - FOLDABLE MOUNTING STEM - DIN POLE/BEACON