


# B14



## DESCRIPTION

- ▶ The B14™ is a mid-size LED Beacon. Its rugged design makes it a popular choice for fire departments.
- ▶ Equipped of 10 D-Fuser LED, it provides a powerful illumination on 360o that exceeds SAE J845 Class I standards.

## FEATURES

- ▶ Multi-voltage input: 12 to 24Vdc
- ▶ 14 selectable flash patterns
- ▶ High intensity LED modules { 10 LED modules of 3 Watts }
- ▶ LEDs rated to 100 000 hours of operation
- ▶ Non-volatile memory recalls last flash pattern used at power up
- ▶ Weatherproof and vibration resistant design for internal or external use
- ▶ Available in permanent mount only
- ▶ Reverse polarity protection
- ▶ Multiple units can be synchronized
- ▶ Color available: 

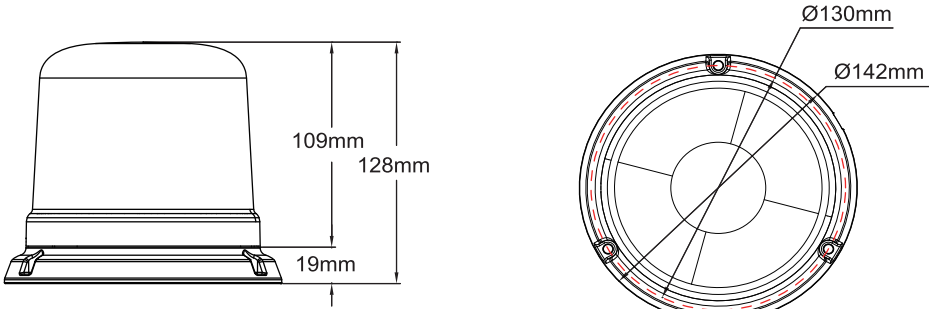
# ELECTRICAL SPECIFICATIONS

Operating Voltage:	12 to 24Vdc
Maximum Current:	3.3A at 12Vdc / 1.75A at 24Vdc
Average Power:	21 Watts (varies with pattern)
Maximum Power:	42 Watts
Fuse Recommended:	5A

# CONNECTING OPTIONS



# DIMENSIONS



# PRODUCT NUMBERS

Number	Description
77302Z	PROSIGNAL - BEACON B14 - 10-LED PERMANENT - RED - RED LENS
78003Z	PUMP VACUUM SUCTION CUP + PLATE FOR BEACON