

84911Z



DESCRIPTION

- ▶ With its projector lens centered projector lens that accentuates the lighting distance, this driving light will help you see farther than you ever imagined at night. On a more cosmetic note, the 84911Z™ also offers a DRL function and a position light function.
- ▶ This model also comes with a great looking protective cover you can put on whenever you don't use the light.
- ▶ Make sure you order the plug & play wire harness #84911Z-HAR2 for an easy installation of two units without the headache.

FEATURES

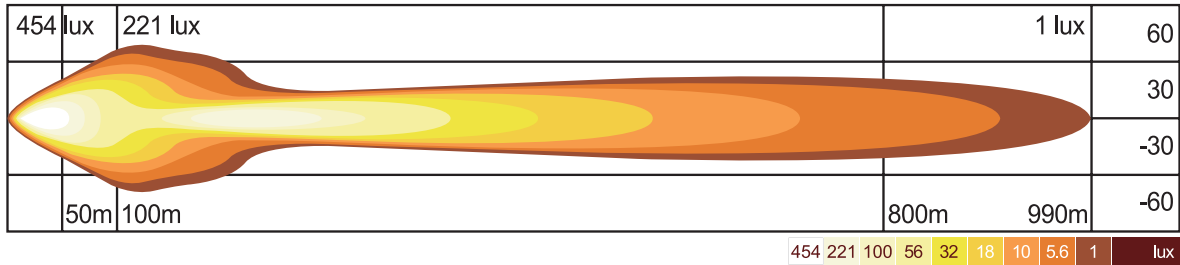
- ▶ Combo Beam (spot & flood)
- ▶ Daytime running lights and Position lights function
- ▶ 10 000 Lumen
- ▶ Color Temperature 6000K
- ▶ LEDs rated to 30 000 hours of operation
- ▶ Water & Vibration resistant
- ▶ Operating temperature: -30°C to +65°C
- ▶ Certificates: CE, RoHS, R10, R112, IP68, 60G (Shock)



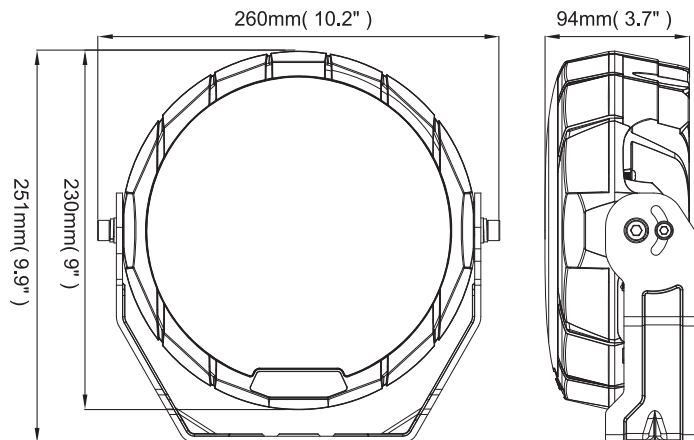
ELECTRICAL SPECIFICATIONS

| | |
|--------------------|-------------------------------|
| Operating Voltage: | 12 to 32Vdc |
| Current Draw : | 2.08 to 12Vdc / 0.96 to 24Vdc |
| Maximum Power: | 120 Watts (+/- 10 %) |
| Fuse Recommended: | 3A |

LIGHT PATTERN



DIMENSIONS



84911Z-HAR2

PRODUCT NUMBERS

| Number | Description |
|-------------|---|
| 84911Z | PROSIGNAL - 9" DRIVING LIGHTS 10000 LM ROND - COMBO BEAM |
| 84911Z-HAR2 | PROSIGNAL - PLUG&PLAY CONNECTION HARNESS / 2 FUNCTIONS SWITCH |