

84721Z



DESCRIPTION

- ▶ With its combo beam projector that will help you see everything you might miss either very close or very far on the road, the 7" driving light 84721Z™ will soon become your best ally at night..
- ▶ This product also features a white DRL or amber position lights function and comes with a protective cover.
- ▶ Make sure you order the plug & play wire harness #84911Z-HAR2 for an easy installation of two units.

FEATURES

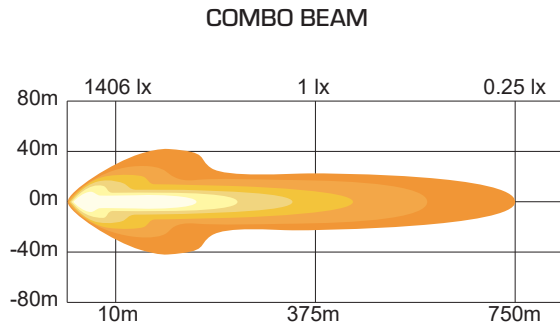
- ▶ Combo Beam (spot & flood)
- ▶ Daytime Running Lights / Position Lights function
- ▶ 8100 Lumen
- ▶ Color Temperature 5000K - 6000K
- ▶ LEDs rated to 20 000 hours of operation
- ▶ Water & Vibration resistant
- ▶ Operating temperature: -40°C to +85°C
- ▶ Certificates: CE, RoHS, R112, IP68, 60G (Shock)
- ▶ 2 Year limited warranty



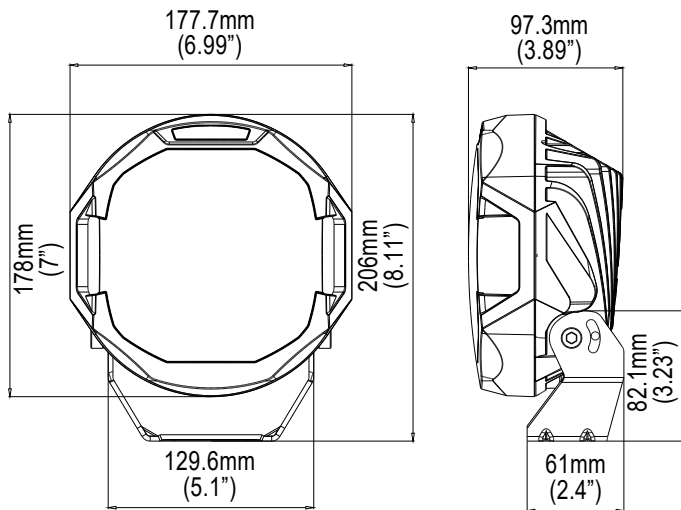
ELECTRICAL SPECIFICATIONS

Operating Voltage:	12 to 32Vdc
Current Draw :	6.75A at 12Vdc / 3.37 to 24Vdc
Maximum Power:	80 Watts (+/- 10 %)

LIGHT PATTERN



DIMENSIONS



84911Z-HAR2

PRODUCT NUMBERS

Number	Description
84721Z	PROSIGNAL - 7" DRIVING LIGHTS 8100 LM ROND - COMBO BEAM
84911Z-HAR2	PROSIGNAL - PLUG&PLAY CONNECTION HARNESS / 2 FUNCTIONS SWITCH