

HEAVY-DUTY WORK LIGHTS

ProSignal™

84401Z /
84411Z



DESCRIPTION

- ▶ One thing for sure, you won't be disappointed with this work light. Design to deliver the best beam pattern, this model was built to perform in harsh environments. Combine (2x) Flood version on each side and (2x) Spot version in the center to get the best visibility on the road.
- ▶ Ideal for applications such as: Agriculture, Excavation, Truck Driving, Towing and Forklift.

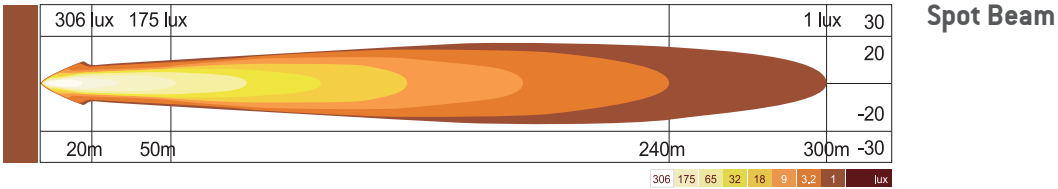
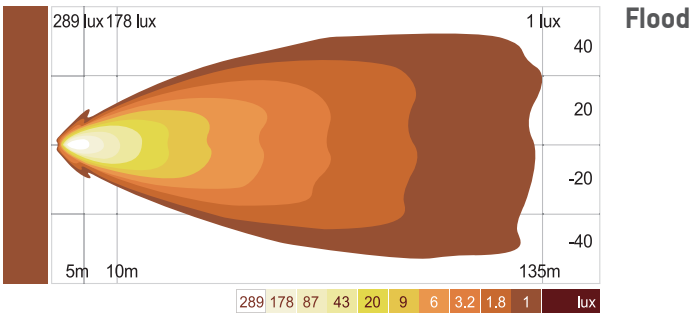
FEATURES

- ▶ Multi-voltage input: 10 to 32Vdc
- ▶ 6 600 Lumen
- ▶ 24 LED of 3 Watts (Osram LED)
- ▶ LEDs rated to 50 000 hours of operation
- ▶ Color Temperature : 6000k
- ▶ 350 mm Cable line with Deutsch connector[Female]
- ▶ Weather & Vibration Resistant
- ▶ Certificates: CE, RoHS, EMC CISPR25 Class3, 60G (Shock), IP68/IP69K
- ▶ Flood or Spot Beam

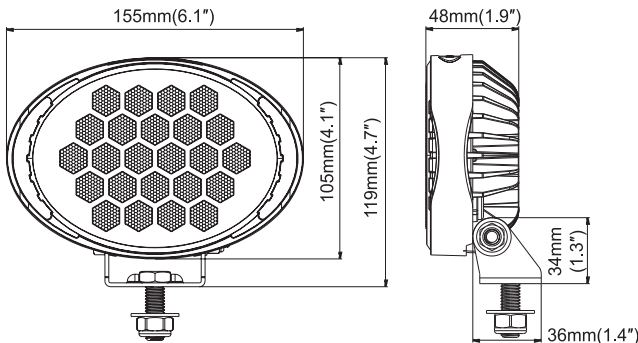
ELECTRICAL SPECIFICATIONS

Operating Voltage:	10 to 30Vdc
Current Draw:	5A at 12Vdc / 2.5A at 24Vdc
Maximum Power:	60 Watts
Fuse Recommended:	5A

LIGHT PATTERN



DIMENSIONS



PRODUCT NUMBERS

Number	Description
84401Z	PROSIGNAL - HEAVY-DUTY WORKLIGHT OVAL - 6600LM –FLOOD
84411Z	PROSIGNAL - HEAVY-DUTY WORKLIGHT OVAL - 6600LM – SPOT BEAM