

S009



ELECTRICAL SPECIFICATIONS

Voltage: 12Vdc to 24Vdc

Standby Current: 0.35mA

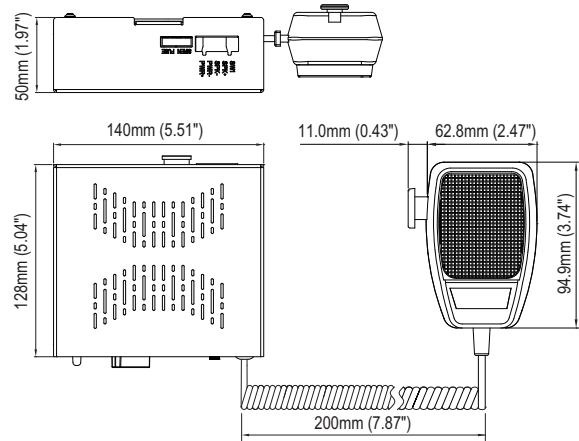
Max. Current: 10A at 12Vdc / 5A at 24Vdc

Siren Output Power: 100 Watts

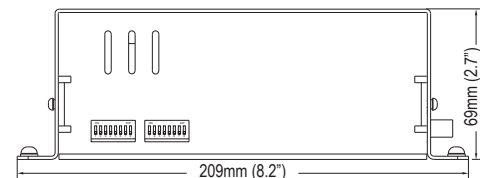
Number Description

80003Z COMPACT SIREN AMPLIFIER WITH MICROPHONE - 1X 100W

- The compact management system S009 is ideal for quick and simple installations that require a siren.
- Its small size (2" x 6") allows for easy installation in different types of vehicles.
- Includes 6 popular siren tones : WAIL, YELP, PHASER, HI/LO, MAN WAIL and AIR HORN.
- Rocker switch for manual horn tone
- Portable PA system included with volume control
- 0.2 Amp output for accessories.



SAF205



Number Description

80001Z AMPLIFIER + HAND-HELD CONTROLLER - 100W/200W

- The SAF205™ is an emergency vehicle management system including siren and hand control keypad.
- It can support up to two 100 watt speakers.
- Four programmable auxiliary buttons (10A ea.)
- Noise canceling microphone
- Horn Ring Transfer (HRT) for hands free siren operation
- Park Kill input
- Tones: Horn, Wail, Yelp, Phaser, Hi-Lo
- LED backlighting (green OFF, red ON)

ELECTRICAL SPECIFICATIONS

Voltage: 10Vdc to 16Vdc

Siren Input Current: 8.5A at 13.6Vdc [1 H-P de 100W]
16A at 13.6Vdc [2 H-P de 100W]

Siren Standby Current: Less than 150mA

Audio Frequency: 200Hz - 10kHz ± 3dB

Audio Output: 40W at 13.6Vdc [1 H-P 100W]

Siren Output Power: 100W RMS max. [14Vdc - 1 H-P 100W]
200W RMS max. [14Vdc - 2 H-P 100W]

Siren Frequency: 725Hz - 1465Hz

Operating Temperature: -25°C to 60°C [-13°F to 140°F]