

# 64715Z



## DESCRIPTION

- ▶ This blue spot beam lamp is designed from the ground up to install on the sprinklers and meet the rigors of agriculture.
- ▶ A superior-quality design, it covers more than 275m. This product can also be used on a forklift or any other type of machinery operating between 10 - 48 Vdc.

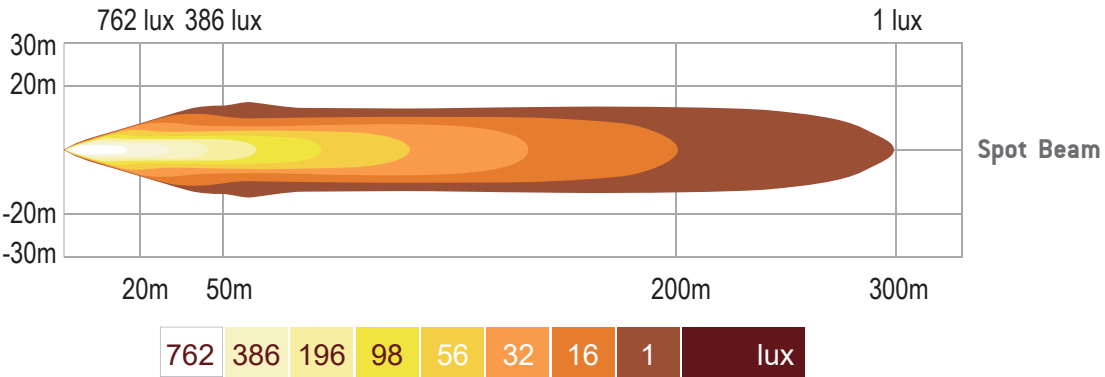
## FEATURES

- ▶ Spot Beam
- ▶ 4400 Lumen
- ▶ 4 LED of 10 Watts (Osram)
- ▶ LEDs Rated to 50 000 hours of operation
- ▶ Light Color : Blue
- ▶ Operating temperature: -40°C to +85°C
- ▶ Aluminum housing with stainless steel bracket
- ▶ Certificates: CE, RoHS, EMC CISPR25 Class3, IP68
- ▶ Connector : Deutsch

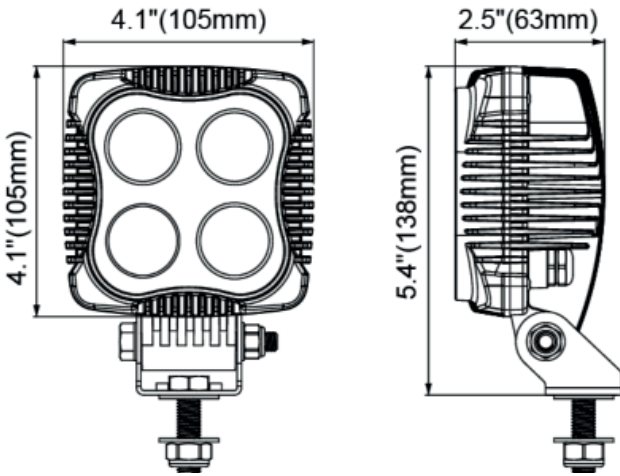
# ELECTRICAL SPECIFICATIONS

Operating Voltage:	10 to 48Vdc
Current Draw:	3.44 at 12Vdc / 1.72 at 24Vdc
Maximum Power:	40 Watts

# LIGHT PATTERN



# DIMENSIONS



# PRODUCT NUMBERS

Number	Description
64715Z	PROSIGNAL - HEAVY-DUTY WORKLIGHT SQUARE 4" 4400Lm - BLUE SPOT BEAM