

64172Z



DESCRIPTION

- ▶ Fully waterproof and vibration resistant, the 64172Z™ head light is perfect for machinery operator who wants to upgrade their halogen PAR 36 to LED.
- ▶ Ideal for applications such as: Agriculture & Excavation.

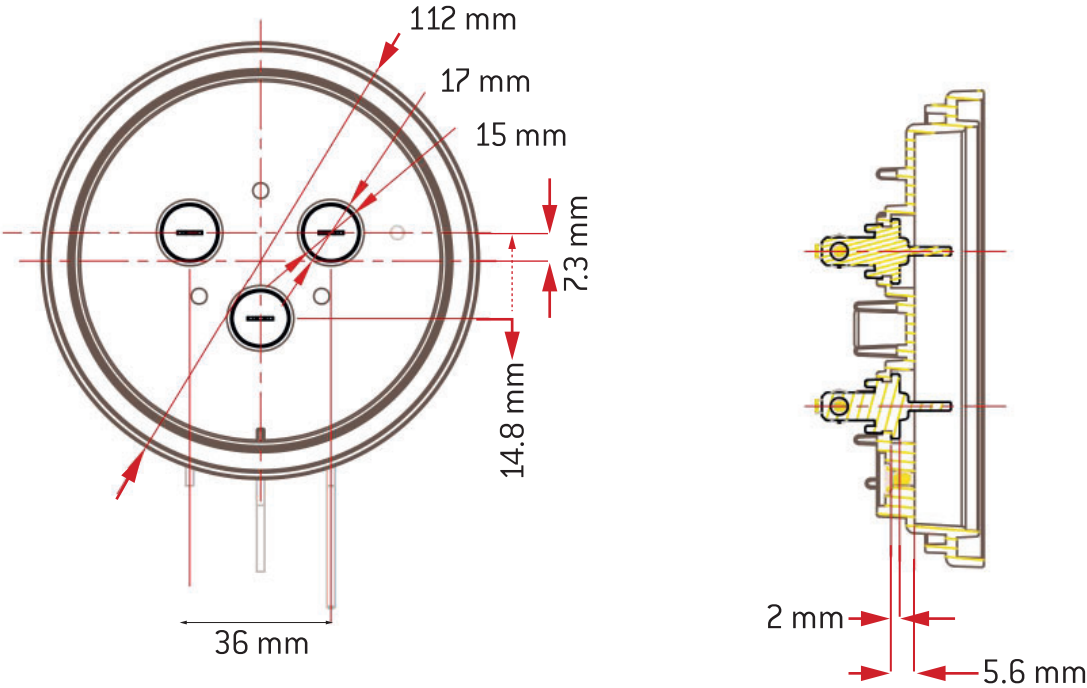
FEATURES

- ▶ Combo Beam (Flood & Spot) / (High & Low)
- ▶ Multi-voltage input: 12 to 24Vdc
- ▶ 1440 lumens
- ▶ 3 LED of 3 Watts (Low)
- ▶ 3 LED of 3 Watts (High)
- ▶ CREE LED
- ▶ LEDs rated to 30 000 hours of operation
- ▶ Made of aluminum alloy & polycarbonate lens.
- ▶ Color Temperature: 6000K
- ▶ Water & vibration resistant
- ▶ Certificates: IP67

ELECTRICAL SPECIFICATIONS

Operating Voltage:	12 to 24Vdc
Current Draw:	1.5A at 12Vdc / 0.75A at 24Vdc
Maximum Power:	18 Watts
Fuse Recommended:	2A

DIMENSIONS



PRODUCT NUMBERS

Number	Description
64172Z	PROSIGNAL - ROUND LED HEADLIGHT (HI/LO) 18W - 1440Lm - 4.5"