

# 64151Z



## DESCRIPTION

- ▶ The 64151Z™ work light is perfect for customers that want to add strong driving lights but doesn't have much space to install them. Assembled in CNC machined aluminum housing, these work lights are completely weatherproof and resistant to vibration.
- ▶ Ideal for applications such as: Motorcycle, ATV/Off-road vehicles, Agriculture and Excavation.

## FEATURES

- ▶ Multi-voltage input: 12 to 24Vdc
- ▶ 2000 lumens
- ▶ 1 LED of 19 Watt (CREE LED)
- ▶ Compact size
- ▶ Color Temperature: 6000K
- ▶ Water & vibration resistant
- ▶ Various mounting options available
- ▶ Spot beam



## ELECTRICAL SPECIFICATIONS

**Operating Voltage:** 12 to 24Vdc

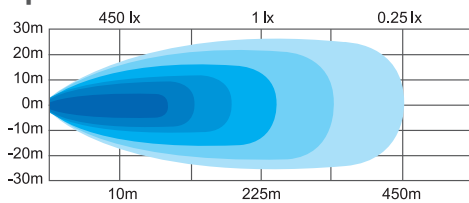
**Current Draw:** 1A at 12Vdc

**Maximum Power:** 19 Watts

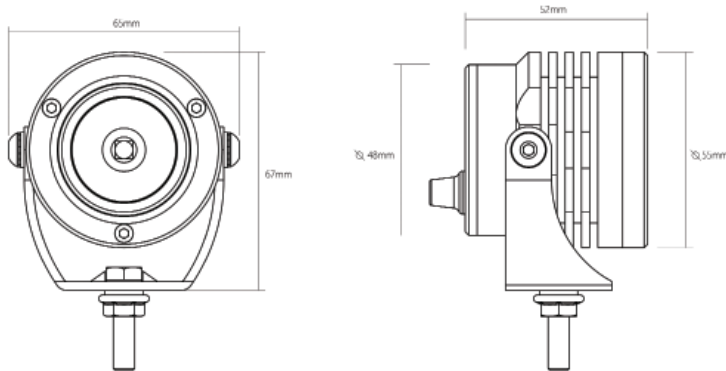
**Fuse Recommended:** 2A

## LIGHT PATTERN

### Spot



## DIMENSIONS



## USER FRIENDLY CONNECTION KIT



## TUBE CLAMP MOUNTING OPTIONS



## PRODUCT NUMBERS

Number	Description
64151Z	PROSIGNAL - 2" WORK LIGHT 2000 Lm ROUND - SPOT
6415xZ-A	PROSIGNAL - WORK LIGHT TUBE CLAMP MOUNTING BRACKET - 28-32mm
6415xZ-B	PROSIGNAL - WORK LIGHT TUBE CLAMP MOUNTING BRACKET - 49-54mm
64155Z	PROSIGNAL - WORK LIGHT CABLE/RELAY KIT WITH HANDLEBAR ON/OFF SWITCH