

64085Z



DESCRIPTION

- ▶ The 64085Z™ Premium multifunction work light will take you to another level of flexibility in your work. Its die-cast aluminum housing with open sides offers wide lighting covering 140° of visibility. Its design is vibration proof and weatherproof.
- ▶ The built-in strobe can be activated completely autonomously having a dedicated wire for this function. The strobe flashing sequence conforms to SAE standards.
- ▶ Ideal for installations that require additional visibility without having to drill new holes on the vehicle. It is also very useful for those who cannot install a strobe Lightbar on the roof.

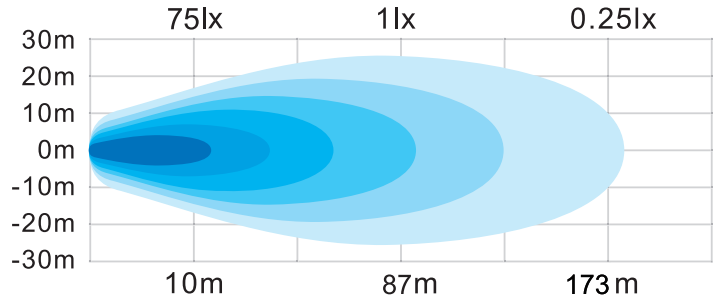
FEATURES

- ▶ Multi-voltage input: 12 to 24Vdc
- ▶ 8400 lumens
- ▶ 4 LED of 10 Watts + 6 LED of 5 Watts + 12 LED of 1.5 Watts (Osram LEDs)
- ▶ LEDs rated to 30 000 hours of operation
- ▶ Color Temperature: 5700K
- ▶ Water & vibration resistant
- ▶ Certificates: CE, RoHS, IP67, R10
- ▶ This version offers wide beam projection with a strobe function

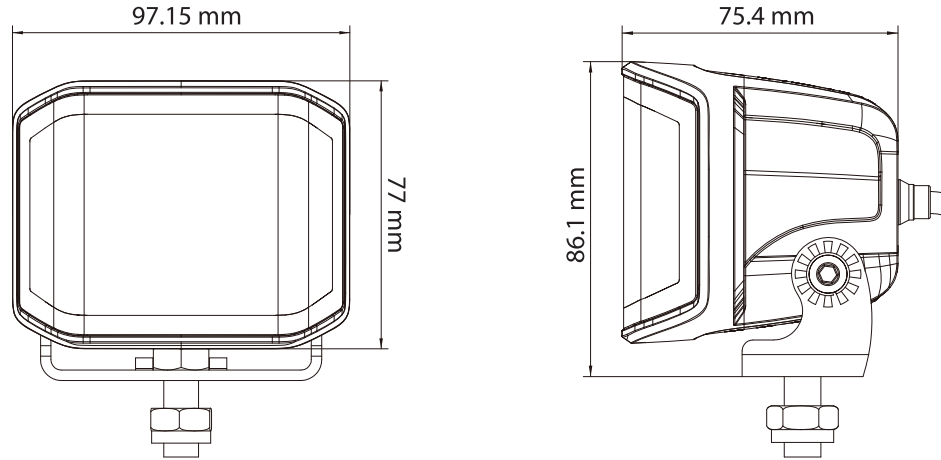
ELECTRICAL SPECIFICATIONS

Operating Voltage:	12 to 24Vdc
Current Draw:	3.4A at 12Vdc / 1.78A at 24Vdc
Maximum Power:	88 Watts
Fuse Recommended:	5A

LIGHT PATTERN



DIMENSIONS



PRODUCT NUMBERS

Number	Description
64085Z	PROSIGNAL - PREMIUM WORK LIGHT 8400 Lm - FLOOD BEAM + STROBE FUNCTION