

HEAVY-DUTY WORK LIGHTS

ProSignal™

64071Z



DESCRIPTION

- ▶ The Work lights 64071Z™ are part of our Heavy-Duty line. Assembled in a die-cast aluminum housing and featuring an easy-to-clean rimless lens, this model resists to most extreme weather and vibrations. Ideal work light for someone who needs high-power lighting to see at a great distance. Its heavy-duty anti-vibration bracket is just waiting to be put up to test.
- ▶ Ideal for applications such as: Agriculture, Excavation, Industrial and Forestry work.

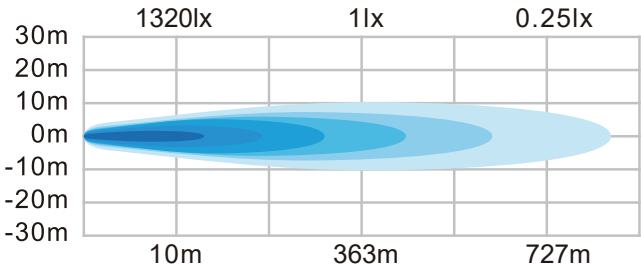
FEATURES

- ▶ Multi-voltage input: 10 to 32Vdc
- ▶ 14 400 Lumen
- ▶ 12 LED of 10 Watts (Osram LEDs)
- ▶ Easy-to-clean lens (no rim)
- ▶ Color Temperature : 6000k
- ▶ Heavy-Duty & anti-vibration bracket
- ▶ Weather resisant
- ▶ Temperature control system for longer life
- ▶ Certificates: CE, RoHS, IP67, IP69K, ECE R10
- ▶ Spot Beam

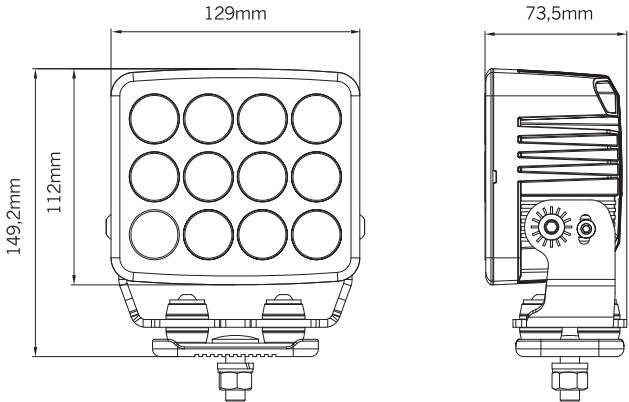
ELECTRICAL SPECIFICATIONS

Operating Voltage:	10 to 30Vdc
Current Draw:	9A at 12Vdc / 4.35A at 24Vdc
Maximum Power:	120 Watts
Fuse Recommended:	10A

LIGHT PATTERN



DIMENSIONS



PRODUCT NUMBERS

Number	Description
64071Z	PROSIGNAL - HEAVY-DUTY WORKLIGHT SQUARE - 14 440 Lm – SPOT BEAM