

64055Z



DESCRIPTION

- ▶ The 64055Z™ Work lights are the best compromise between quality and price. Assembled in a die-cast aluminum housing these work lights are completely weatherproof and resistant to vibration.
- ▶ Its built-in strobe function can be activated completely autonomously by using its own wire. The strobe flash pattern has the SAE certification.
- ▶ Ideal for installation that need to add visibility without drilling new holes on their vehicle or cannot install any strobe beacon on their roof.

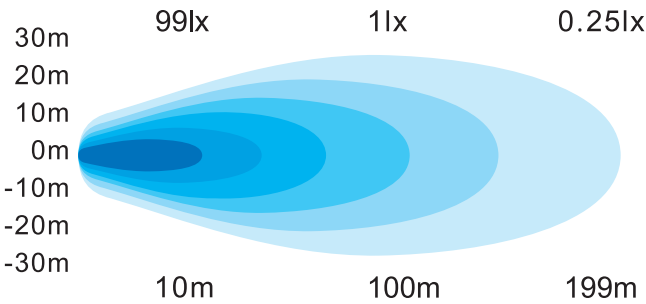
FEATURES

- ▶ Multi-voltage input: 12 to 24Vdc
- ▶ 2195 lumens
- ▶ 4 LED of 5 Watts + 6 LED of 1 Watt (Osram LEDs)
- ▶ LEDs rated to 30 000 hours of operation
- ▶ Color Temperature: 6000K
- ▶ Water & vibration resistant
- ▶ Certificates: CE, RoHS, IP67, IP69K, ECE, R10, R65
- ▶ This version offers wide beam projection with a strobe function

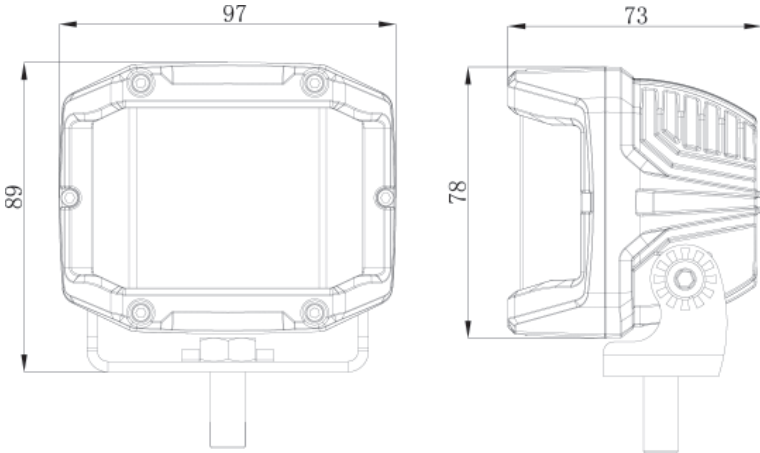
ELECTRICAL SPECIFICATIONS

Operating Voltage:	12 to 24Vdc
Current Draw:	1.71A at 12Vdc / 0.93A at 24Vdc
Maximum Power:	26 Watts
Fuse Recommended:	3A

LIGHT PATTERN



DIMENSIONS



PRODUCT NUMBERS

Number	Description
64055Z	PROSIGNAL - WORK LIGHT 2195 Lm - FLOOD + STROBE FUNCTION