

64041Z



DESCRIPTION

- ▶ The 64041Z™ work lights are perfect for customers that want to add some scene lights but doesn't have much space to install them. Assembled in a die-cast aluminum housing, these work lights are completely weatherproof and resistant to vibration. Its Flood beam pattern is a very good solution for small tractor loader/excavator or forklift.
- ▶ Ideal for applications such as: ATV/Off-road vehicles, Agriculture, Excavation and Forklift.

FEATURES

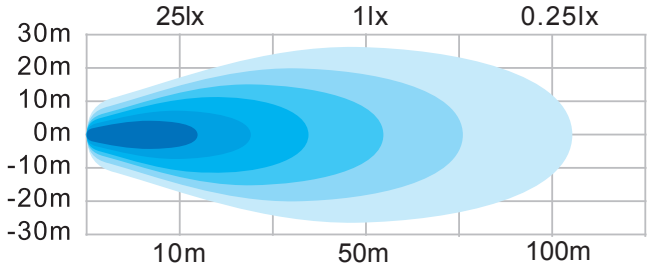
- ▶ Multi-voltage input: 12 to 24Vdc
- ▶ 2200 lumens
- ▶ 4 LED of 6 Watts (Osram LED)
- ▶ Compact size
- ▶ Color Temperature: 6000K
- ▶ Water & vibration resistant
- ▶ Certificates: CE, RoHS, IP67, IP69K, ECE, R10
- ▶ This is the Flood beam version

ELECTRICAL SPECIFICATIONS

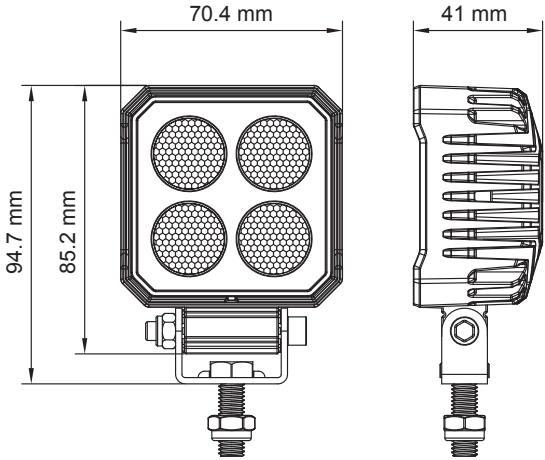
Operating Voltage:	12 to 24Vdc
Current Draw:	2.47A at 12Vdc / 1.29A at 24Vdc
Maximum Power:	24 Watts
Fuse Recommended:	3A

LIGHT PATTERN

Flood Beam



DIMENSIONS



PRODUCT NUMBERS

Number	Description
64041Z	PROSIGNAL - MINI WORK LIGHT 2200 Lm SQUARE - FLOOD