

64024Z



DESCRIPTION

- ▶ The 64024Z™ work light is the best compromise between quality and price. Assembled in a die-cast aluminum housing these work lights are completely weatherproof and resistant to vibration.
- ▶ Ideal for applications such as: Agriculture, Excavation, ATV/Off-road vehicles, towing and Forklift.

FEATURES

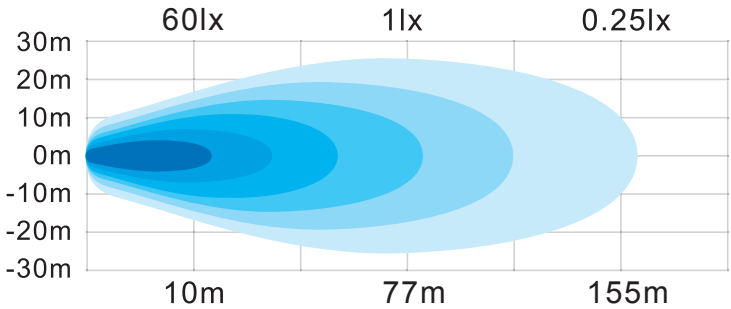
- ▶ Multi-voltage input: 12 to 24Vdc or 10 to 80Vdc
- ▶ 3040 lumens
- ▶ 16 LED of 1,5 Watts each (Osram LED)
- ▶ LEDs rated to 30 000 hours of operation
- ▶ Color Temperature: 6000K
- ▶ Water & vibration resistant
- ▶ Certificates: CE, RoHS, IP67, IP69K, ECE, R10
- ▶ This is the Flood beam version

ELECTRICAL SPECIFICATIONS

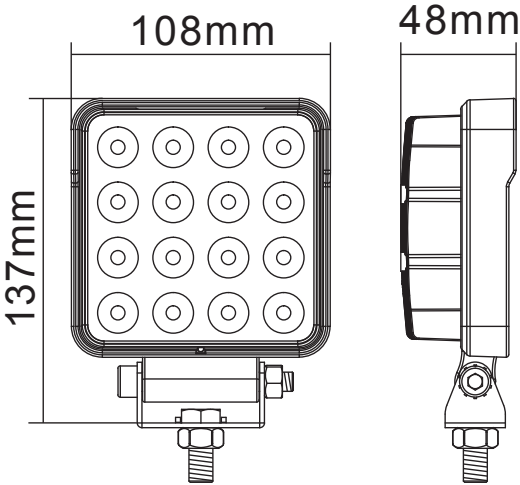
Operating Voltage:	12 to 24Vdc or 10 to 80Vdc
Current Draw:	2.08A at 12Vdc / 1.04A at 24Vdc
Maximum Power:	24 Watts
Fuse Recommended:	3A

LIGHT PATTERN

Flood Beam



DIMENSIONS



PRODUCT NUMBERS

Number	Description
64024Z	PROSIGNAL - WORK LIGHT - 3040 lm SQUARE - FLOOD
64025Z	PROSIGNAL - WORK LIGHT 10-80Vdc - 3040 lm SQUARE - FLOOD