

DOMES LIGHTS

60511Z / 60513Z

ProSignal™



With On/Off Switch

DESCRIPTION

- ▶ The 60511Z/60513Z™ LED dome lights are part our professional grade products. It is ideal for customers who need to increase the intensity of lighting in their workspace.
- ▶ These dome lights are not waterproof and for interior uses only.

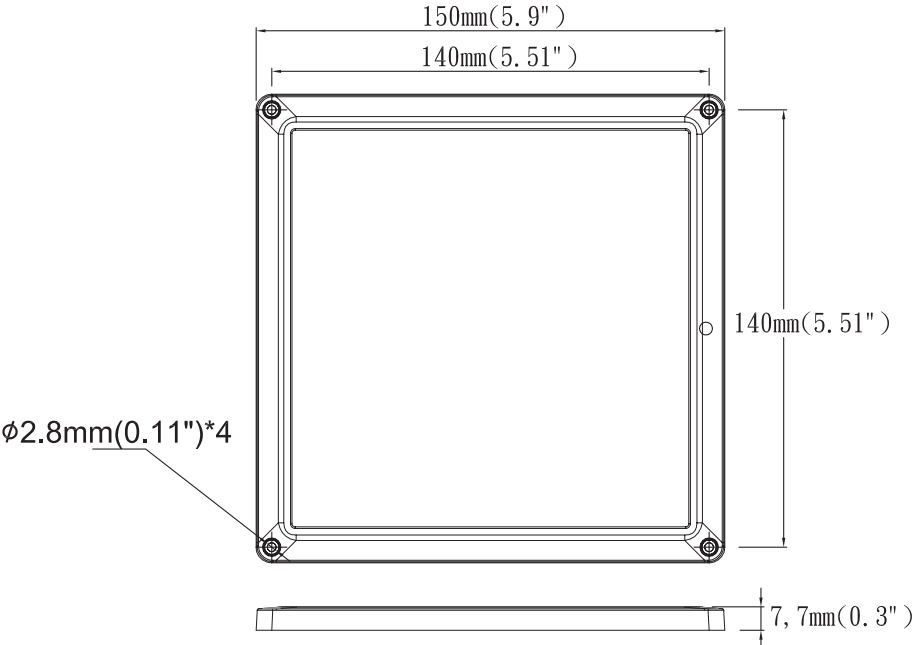
FEATURES

- ▶ Multi-voltage input: 12V to 24Vdc
- ▶ 700 lumens
- ▶ 36 LED
- ▶ Surface Mount
- ▶ Different frames color available (White or Black)
- ▶ Heavy-duty and super thin design (7.5mm)
- ▶ Excellent aluminum heat sink
- ▶ Polycarbonate frosted lens
- ▶ Color Temperature: 6000K

ELECTRICAL SPECIFICATIONS

Operating Voltage:	12 to 24Vdc
Current Draw:	0.51A at 12Vdc / 0.27A at 24Vdc

DIMENSIONS



PRODUCT NUMBERS

Number	Description
60511Z	PROSIGNAL - DOME LIGHT 6x6 6000K 12-24V 700Lm ON/OFF - WHITE FRAME
60513Z	PROSIGNAL - DOME LIGHT 6x6 6000K 12-24V 700Lm ON/OFF - BLACK FRAME