

DOMES LIGHTS

ProSignal™

60311Z / 60313Z
60312Z / 60314Z



Warm White Model

4000K

6000K

Cool White Model



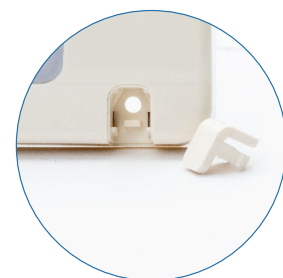
With 3 positions Switch Hi / Low / Off

DESCRIPTION

- ▶ The 60311Z/12Z/13Z/14Z™ LED dome lights are part our professional grade products. It is ideal for customers who need to increase the intensity of lighting in their workspace.
- ▶ These dome lights are waterproof but more efficient in interior uses.

FEATURES

- ▶ Multi-voltage input: 12V to 24Vdc
- ▶ 600 lumens (Hi)
- ▶ 300 lumens (Low)
- ▶ 72 LED
- ▶ Surface Mount
- ▶ Different frames color available (White or Black)
- ▶ Waterproof and heavy-duty design
- ▶ Excellent aluminum heat sink
- ▶ Polycarbonate frosted lens
- ▶ Color Temperature: 6000K (60311Z / 60313Z)
- ▶ Color Temperature: 4000K (60312Z / 60314Z)

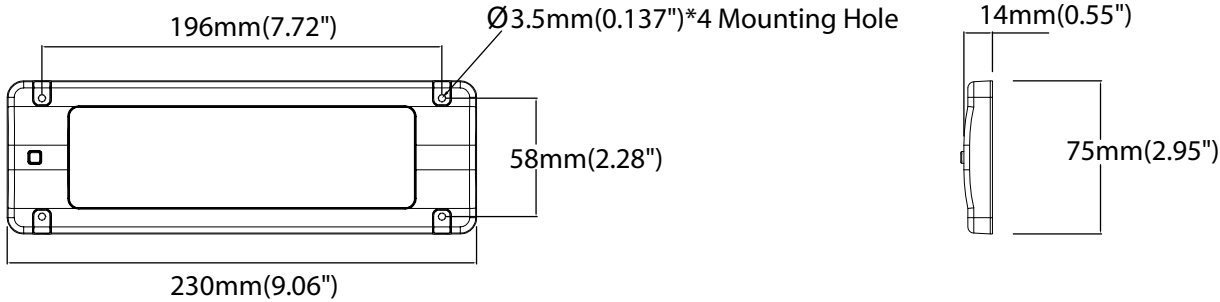


Hidden mounting holes

ELECTRICAL SPECIFICATIONS

Operating Voltage:	12 to 24Vdc
Current Draw:	0.51A at 12Vdc / 0.27A at 24Vdc

DIMENSIONS



PRODUCT NUMBERS

Number	Description
60312Z	PROSIGNAL - DOME LIGHT 9x3 4000K 12-24V 600Lm ON/OFF - WHITE FRAME
60314Z	PROSIGNAL - DOME LIGHT 9x3 4000K 12-24V 600Lm ON/OFF - BLACK FRAME
60311Z	PROSIGNAL - DOME LIGHT 9x3 6000K 12-24V 600Lm ON/OFF - WHITE FRAME
60313Z	PROSIGNAL - DOME LIGHT 9x3 6000K 12-24V 600Lm ON/OFF - BLACK FRAME