

SCENE LIGHTS

SL157

ProSignal™



DESCRIPTION

- ▶ The SL157™ is the best way to add scene lighting to your vehicle without compromising the look. Assembled in a die-cast aluminum base surrounded by a black housing this light is completely weatherproof and resistant to vibration.
- ▶ Its size and design are perfect to maximize the area visibility you need when on duty, whether it is for a surface mount installation on the vehicle or inside the cargo area you will certainly find a small place for the SL157™.
- ▶ White or chrome housing can also be ordered separately to adapt to most applications.

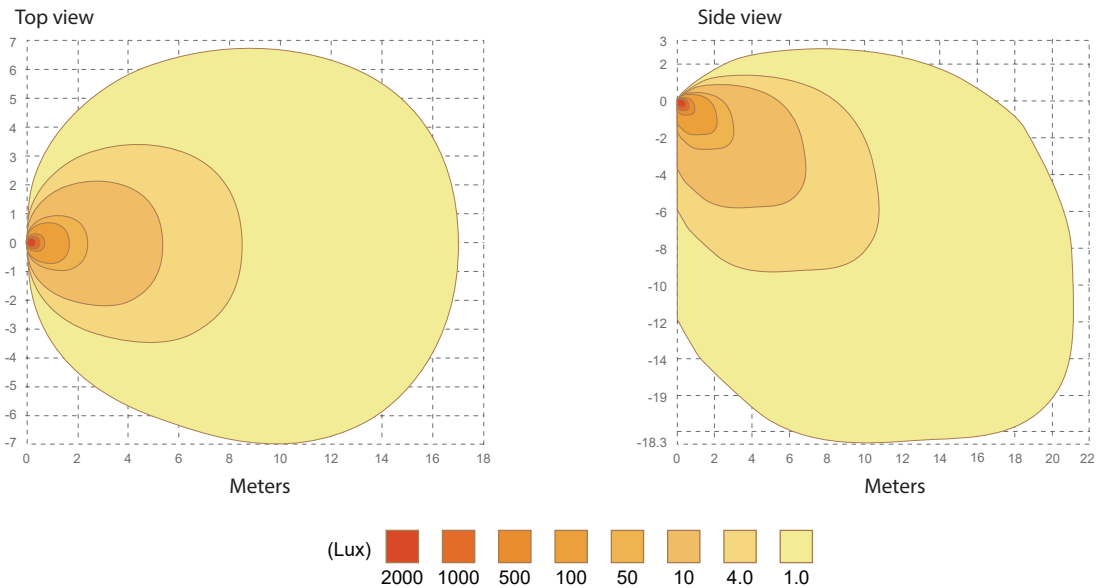
FEATURES

- ▶ Multi-voltage input: 12 to 24Vdc
- ▶ 1400 lumens
- ▶ 4 High Power LED
- ▶ Water & vibration resistant
- ▶ Die-Cast Aluminum base for efficient heat dissipation
- ▶ White or chrome housing also available
- ▶ Certificates: ECE, R10, CISPR 25, IPX7
- ▶ Flood beam version

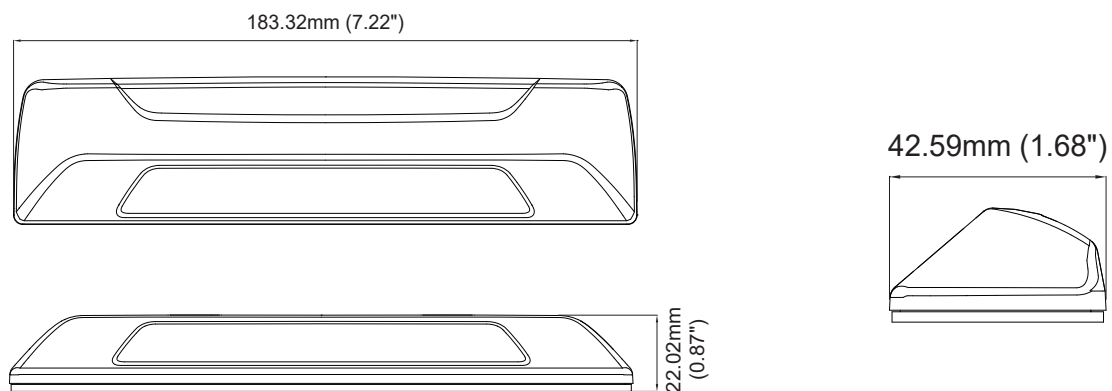
ELECTRICAL SPECIFICATIONS

Operating Voltage:	12 to 24Vdc
Current Draw:	1.2A to 12Vdc / 0.6A to 24Vdc
Maximum Power:	14.4 Watts
Fuse Recommended:	2A

LIGHT PATTERN



DIMENSIONS



PRODUCT NUMBERS

Number	Description
63011Z	PROSIGNAL - SCENE LIGHT - BLACK HOUSING - 7" SURFACE MOUNT 1400 Lm
63015Z	PROSIGNAL - WHITE HOUSING FOR 7" SCENE LIGHT
63018Z	PROSIGNAL - CHROME HOUSING FOR 7" SCENE LIGHT
63012Z	PROSIGNAL - BLACK HOUSING FOR 7" SCENE LIGHT