

PERIMETER LIGHTING

MS6BH


ProSignal™



DESCRIPTION

- ▶ The MS Series is still on the top step of the podium. Its legendary reliability is no secret for anyone. The MS6BH™ is ideal for installation in the grille of the vehicle.
- ▶ Its design meets SAE J845 Class I standards.

FEATURES

- ▶ Multi-voltage input: 12 to 24Vdc
- ▶ 19 flash patterns
- ▶ High intensity LED modules (6 LED modules of 1 Watt)
- ▶ LEDs rated to 100 000 hours of operation
- ▶ Non-volatile memory recalls last flash pattern used at power up
- ▶ Weatherproof and vibration resistant design for internal or external use
- ▶ Reverse polarity protection
- ▶ Multiple units can be synchronized
- ▶ Color available: 



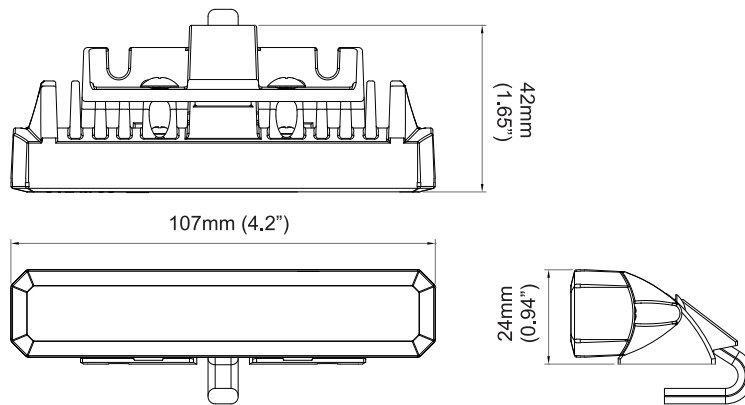
ELECTRICAL SPECIFICATIONS

Operating Voltage:	12 to 24Vdc
Maximum Current:	1.15A at 12Vdc / 0.58A at 24Vdc
Average Power:	6.9 Watts at 12Vdc (varies with flash pattern)
Maximum Power:	13.8 Watts
Fuse Recommended:	3A

MOUNTING BRACKET



DIMENSIONS



PRODUCT NUMBERS

Number	Description
21213Z	PROSIGNAL - MS6 - 6 LED GRILLE MOUNT - AMBER
21212Z	PROSIGNAL - MS6 - 6 LED GRILLE MOUNT - RED
21215Z	PROSIGNAL - MS6 - 6 LED GRILLE MOUNT - BLUE
21211Z	PROSIGNAL - MS6 - 6 LED GRILLE MOUNT - WHITE