

PERIMETER LIGHTING

MS3BH


ProSignal™



DESCRIPTION

- ▶ The MS Series is still on the top step of the podium. Its legendary reliability is no secret for anyone. The MS3BH™ is ideal for installation in the grille of the vehicle.
- ▶ Its design meets SAE J845 Class I standards.

FEATURES

- ▶ Multi-voltage input: 12 to 24Vdc
- ▶ 12 flash patterns
- ▶ High intensity LED modules (3 LED modules of 1 Watt)
- ▶ LEDs rated to 100 000 hours of operation
- ▶ Non-volatile memory recalls last flash pattern used at power up
- ▶ Weatherproof and vibration resistant design for internal or external use
- ▶ Reverse polarity protection
- ▶ Multiple units can be synchronized
- ▶ Color available: 



ELECTRICAL SPECIFICATIONS

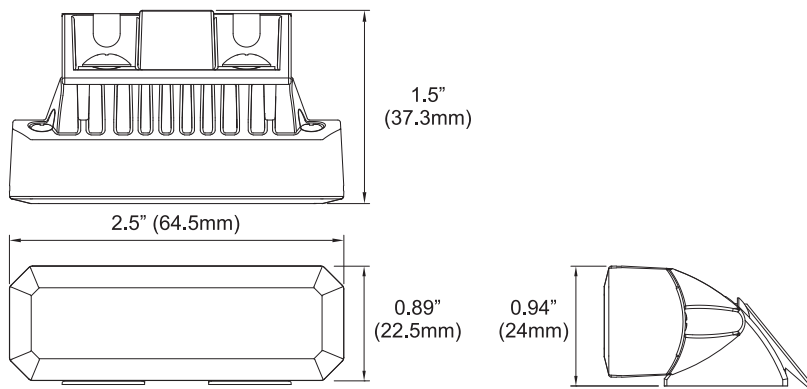
Operating Voltage:	12 to 24Vdc
Maximum Current:	0.4A at 12Vdc / 0.22A at 24Vdc
Average Power:	2.7 Watts at 12Vdc [varies with flash pattern]
Maximum Power:	5.5 Watts
Fuse Recommended:	1A

MOUNTING BRACKET



DIMENSIONS

Hood Mount



PRODUCT NUMBERS

Number	Description
21013Z	PROSIGNAL - MS3 - 3 LED GRILLE MOUNT - AMBER
21012Z	PROSIGNAL - MS3 - 3 LED GRILLE MOUNT - RED
21015Z	PROSIGNAL - MS3 - 3 LED GRILLE MOUNT - BLUE
21011Z	PROSIGNAL - MS3 - 3 LED GRILLE MOUNT - WHITE