

DRIVING LIGHTS

LED-HL-4X6-L

ProSignal™



Day time running lights built in

DESCRIPTION

- ▶ The LED-HL-4X6-L™ headlight is ideal for truck owners wanting to improve their night driving by remaining legal. Assembled in a die-cast aluminum housing, these headlights are completely weatherproof and resistant to vibration. Their beam pattern is SAE DOT approved for the road and they have daytime running lights built in to increase visibility for the other drivers.
- ▶ This LED headlight will mate with the same wiring connector as your original halogen one.

FEATURES

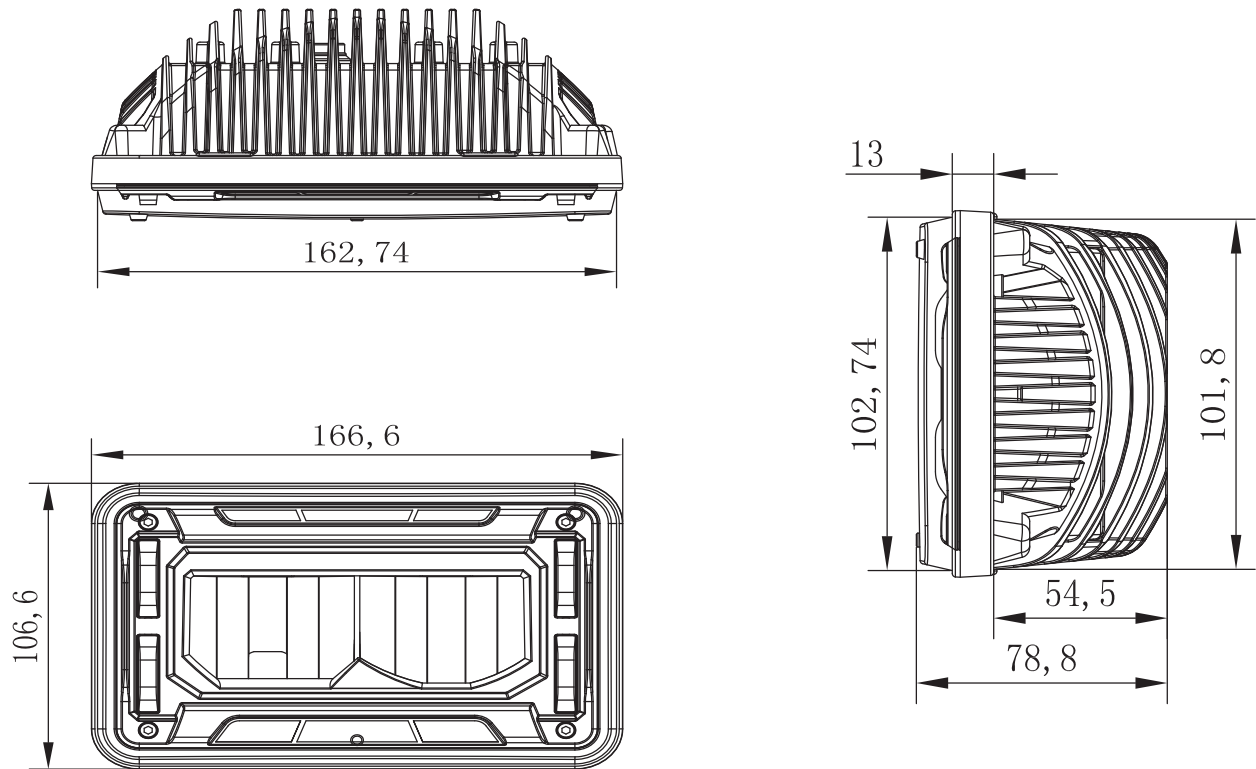
- ▶ Low Beam Version
- ▶ Multi-voltage input: 12 to 24Vdc
- ▶ 1008 lumens (Projector)
- ▶ 2 LED of 15 Watts (Osram LED)
- ▶ Die-cast aluminum housing & polycarbonate lens
- ▶ Color Temperature: 6000K
- ▶ Water & vibration resistant
- ▶ Certificates: CE, RoHS, IP67, IP69K, ECE, R10, DOT



ELECTRICAL SPECIFICATIONS

Operating Voltage:	12 to 24Vdc
Current Draw:	1.48A to 12Vdc / 0.74A to 24Vdc
Maximum Power:	30 Watts

DIMENSIONS



PRODUCT NUMBERS

Number	Description
LED-HL-4X6-L	PROSIGNAL - LED HEADLIGHT (LOW BEAM) 30W-6000K DOT - 4" X 6"