

LED WORK LIGHT



2 Years Warranty

W-04011
Flood Beam, Heated

W-14011
Spot Beam, Heated

Description

Here is a model specially designed to meet the rigors of the Canadian climate. Equipped with a heated lens that activates automatically around 0°C, it will ensure that snow and ice melt and don't stay on the light. This work light is also flanked by a triangular support with an anti-vibration rubber layer to tackle less docile roads.



60G

SHOCK



4800

LUMEN



IP68/69K

**WEATHER
RESISTANT**



HEATED

**HEATED
LENS**

Features

4800 lumens

4 LED of 10 Watts each

LEDs rated to 50 000 hours of operation

Heated Lens (below 0°C)

Color temperature: 6000K

Water & vibration resistant

Operating temperature: -40°C to +85°C

Certificates: CE, RoHS, R10, IP68, IP69K, 60G (Shock)

Available in Flood and Spot beam

Integrated 2 Pin Deutsch Connector (Female)

Additional 180mm cable with Deutsch 2 pin connector (Male)

Utilisations

Agriculture
Carrier
ATV / Off-Road
Excavation



NORTH X LIGHT

Electrical specifications

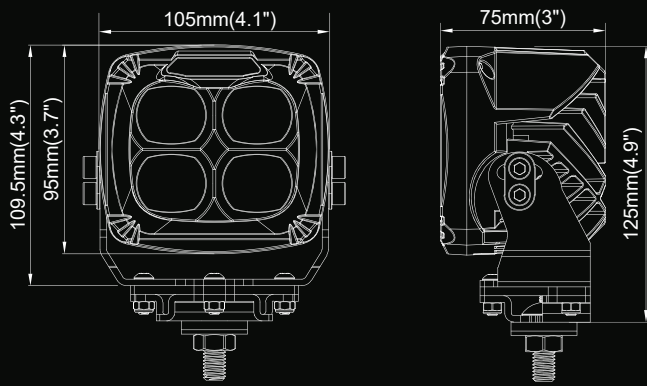
Input voltage: 10 to 32Vcc

Power consumption: 3.2A at 12Vcc / 1.6A at 24Vcc

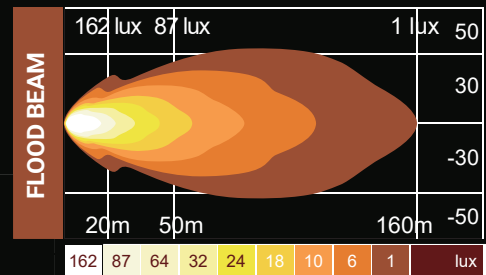
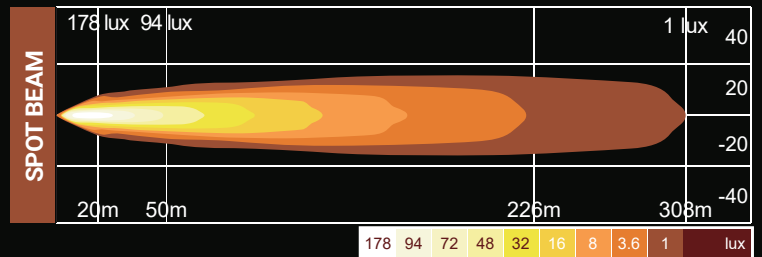
Power requirement (max.) : 40 Watts

Recommended fuse : 5A

Dimensions



Light Patterns



Products

Part#	Description
W-04011	HEATED WORK LIGHT - SQUARE 4800 Lm – FLOOD BEAM
W-14011	HEATED WORK LIGHT - SQUARE 4800 Lm – SPOT BEAM