



77302Z



77315Z



## DESCRIPTION

- ▶ The B14™ is a mid-size LED Beacon. Its heavy-duty design makes it an ally of choice for the fire departments vehicles.
- ▶ Equipped of 10 D-Fuser LED, it provides a powerful illumination on 360° that exceeds SAE J845 Class I standards.

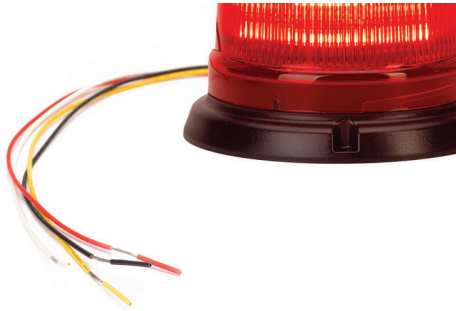
## FEATURES

- ▶ Multi-voltage input: 12 to 24Vdc
- ▶ 14 selectable flash patterns
- ▶ High intensity LED modules ( 10 LED modules of 3 Watts )
- ▶ LEDs rated to 100 000 hours of operation
- ▶ Non-volatile memory recalls last flash pattern used at power up
- ▶ Weatherproof and vibration resistant design for internal or external use
- ▶ Reverse polarity protection
- ▶ Multiple units can be synchronized

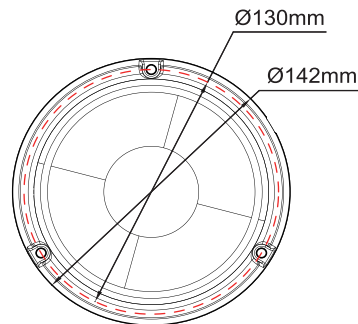
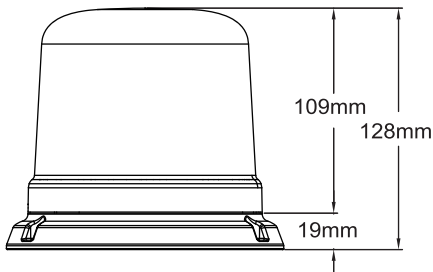
## ELECTRICAL SPECIFICATIONS

Operating Voltage:	12 to 24Vdc
Maximum Current:	3.3A at 12Vdc / 1.75A at 24Vdc
Average Power:	21 Watts (varies with pattern)
Maximum Power:	42 Watts
Fuse Recommended:	5A

## CONNECTING OPTIONS



## DIMENSIONS



## PRODUCT NUMBERS

Number	Description
77302Z	PROSIGNAL - BEACON B14 - 10-LED PERMANENT - RED - RED LENS
77315Z	PROSIGNAL - BEACON B14 - 10-LED MAGNETIC - BLUE - BLUE LENS