

DRIVING LIGHTS

64151Z / 64153Z

ProSignal™



DESCRIPTION

- ▶ The 64151Z/ 64153Z™ work lights are perfect for customers that want to add strong driving lights but doesn't have much space to install them. Assembled in CNC machined aluminum housing, these work lights are completely weatherproof and resistant to vibration. Its Spot or Narrow Spot beam pattern offers the perfect light output for driving application [450 Meters +].
- ▶ Ideal for applications such as: Motorcycle, ATV/Off-road vehicles, Agriculture and Excavation.

FEATURES

- ▶ Multi-voltage input: 12 to 24Vdc
- ▶ 2000 lumens
- ▶ 1 LED of 19 Watt (CREE LED)
- ▶ Compact size
- ▶ Color Temperature: 6000K
- ▶ Water & vibration resistant
- ▶ Various mounting options available
- ▶ Spot and Narrow Spot beam version available

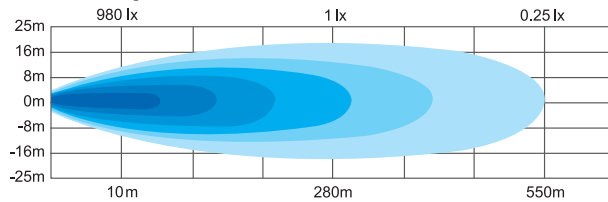


ELECTRICAL SPECIFICATIONS

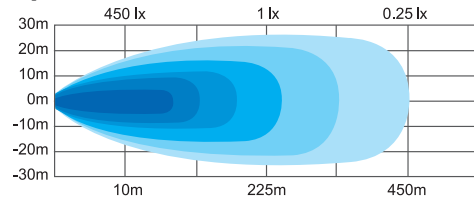
Operating Voltage:	12 to 24Vdc
Current Draw:	1A to 12Vdc
Maximum Power:	19 Watts
Fuse Recommended:	2A

LIGHT PATTERN

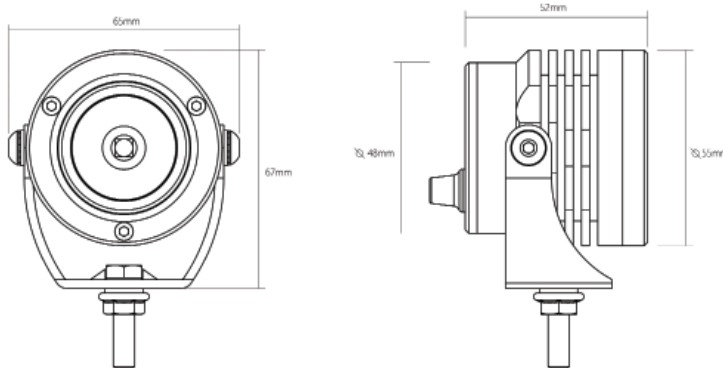
Narrow Spot



Spot



DIMENSIONS



USER FRIENDLY CONNECTION KIT



TUBE CLAMP MOUNTING OPTIONS



PRODUCT NUMBERS

Number	Description
64153Z	PROSIGNAL - 2" WORK LIGHT 2000 Lm ROUND - NARROW SPOT
64151Z	PROSIGNAL - 2" WORK LIGHT 2000 Lm ROUND - SPOT
6415xZ-A	PROSIGNAL - WORK LIGHT TUBE CLAMP MOUNTING BRACKET - 28-32mm
6415xZ-B	PROSIGNAL - WORK LIGHT TUBE CLAMP MOUNTING BRACKET - 49-54mm
64155Z	PROSIGNAL - WORK LIGHT CABLE/RELAY KIT WITH HANDLEBAR ON/OFF SWITCH