

# HEAVY-DUTY WORK LIGHTS

## WLG

## *ProSignal™*



## DESCRIPTION

- ▶ The WLG™ Work lights are part of our Heavy-Duty line. Assembled in a die-cast aluminum housing, they are completely weatherproof and resistant to vibration.
- ▶ They been tested by our customers in the worst conditions and always responded perfectly.

## FEATURES

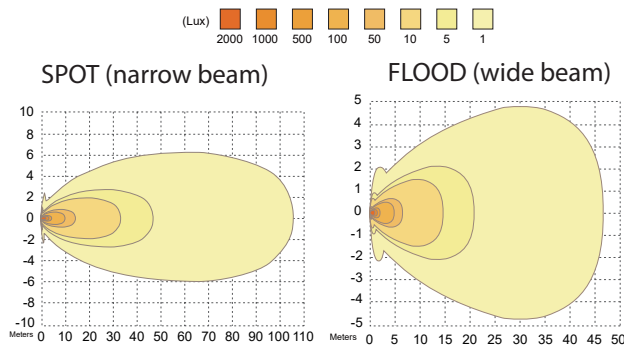
- ▶ Multi-voltage input: 9 to 50Vdc
- ▶ 900 lumens
- ▶ 4 High intensity LED modules
- ▶ Available in Spot or Flood beam pattern
- ▶ LEDs rated to 50 000 hours of operation
- ▶ Heavy-Duty powder coated die cast aluminium
- ▶ Reverse polarity protection
- ▶ EMC & IPX9K Compliance



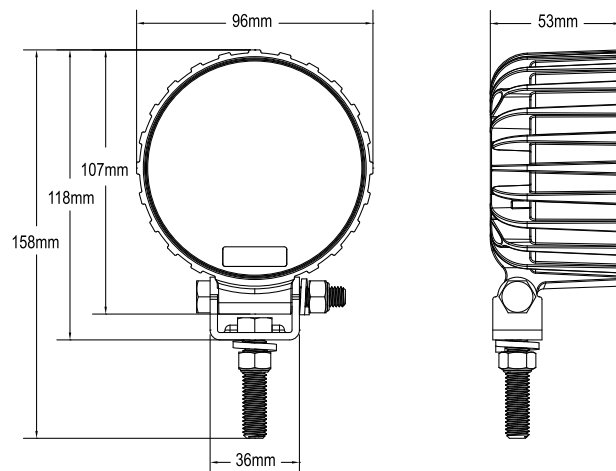
## ELECTRICAL SPECIFICATIONS

<b>Operating Voltage:</b>	9 to 50Vdc
<b>Maximum Current:</b>	1.2A at 9Vdc / 0.2A at 50Vdc
<b>Maximum Power:</b>	10.8 Watts
<b>Fuse Recommended:</b>	3A

## LIGHT PATTERN



## DIMENSIONS



## PRODUCT NUMBERS

Number	Description
63401Z	PROSIGNAL - WORK LIGHT - WL4 LED ROUND 900 lm - FLOOD
63411Z	PROSIGNAL - WORK LIGHT - WL4 LED ROUND 900 lm - SPOT